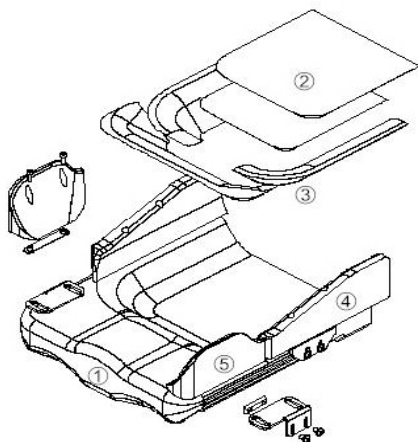


ADJUSTABLE CONTOUR SEAT (includes set of anterior well reducers⁴; one pair lateral well reducers & Rubatex™ inner cover)¹

① SEAT WIDTH AND DEPTH (seat width is 1" narrower than frame width)²



<input type="checkbox"/> 10" Frame Width	Seat Depth	<input type="checkbox"/> 8"-12"	<input type="checkbox"/> 9"-14"	\$884 ea	
<input type="checkbox"/> 12" Frame Width	Seat Depth	<input type="checkbox"/> 8"-12"	<input type="checkbox"/> 9"-14"	<input type="checkbox"/> 11"-16"	\$884 ea
<input type="checkbox"/> 14" Frame Width	Seat Depth	<input type="checkbox"/> 9"-14"	<input type="checkbox"/> 11"-16"	<input type="checkbox"/> 13"-18"	\$989 ea
<input type="checkbox"/> 16" Frame Width	Seat Depth	<input type="checkbox"/> 11"-16"	<input type="checkbox"/> 13"-18"	<input type="checkbox"/> 15"-20"	\$989 ea
<input type="checkbox"/> 18" Frame Width	Seat Depth	<input type="checkbox"/> 11"-16"	<input type="checkbox"/> 13"-18"	<input type="checkbox"/> 15"-20"	\$989 ea

② WELL INSERTS (Each layer is 1/2" thick, total well depth 1 1/2")

LAYER	POLY \$29 ea layer				CONFORM \$65 ea layer			
	Soft	MedSoft	Medium	Firm	Soft	MedSoft	Medium	Firm
Top								
Middle								
Bottom								

Outer Cover (indicate color) Qty

<input type="checkbox"/> Incontinent	\$105	ea	___
<input type="checkbox"/> AirExchange™ (Black only)	\$105	ea	___
<input type="checkbox"/> Naugahyde	\$105	ea	___

- Fluid Pad \$456 ea
- Omit well inserts

③ Additional Lateral Well Reducers \$66 ea Qty: ___ Left ___ Right

④ ADJUSTABLE CONTOUR LATERAL PELVIC SUPPORTS - \$418 pr

Fixed Brackets	Contour Pads	(see table A)
<input type="checkbox"/> 0" - 1/2" Inset	<input type="checkbox"/> 2" Height	
<input type="checkbox"/> 1/2" - 1" Inset	<input type="checkbox"/> 3" Height	

⑤ ADJUSTABLE CONTOUR LATERAL THIGH SUPPORTS - \$418 pr

Fixed Brackets	Contour Pads	(see table B)
<input type="checkbox"/> 0" - 1/2" Inset	<input type="checkbox"/> 2" Height	
<input type="checkbox"/> 1/2" - 1" Inset	<input type="checkbox"/> 3" Height	

ANTERIOR PELVIC SUPPORTS (Hip Belt)

Side-Squeeze Buckle	Dual Adj. Side -Squeeze Buckle	Aircraft Lift-Latch Buckle
<input type="checkbox"/> 1" Strap Width - Nonpadded \$57 ea	<input type="checkbox"/> 1" Strap Width - Padded \$133 ea	<input type="checkbox"/> 1" Strap Width \$171 ea
<input type="checkbox"/> 1 1/2" Strap Width - Nonpadded \$65 ea	<input type="checkbox"/> 1 1/2" Strap Width - Padded \$152 ea	<input type="checkbox"/> 1 1/2" Strap Width \$200 ea
<input type="checkbox"/> 2" Strap Width - Nonpadded \$76 ea	<input type="checkbox"/> 2" Strap Width - Padded \$171 ea	<input type="checkbox"/> 2" Strap Width \$237 ea

FLIP-DOWN MEDIAL THIGH SUPPORT (Abductors- includes flipdown bracket, pad and cover) \$817

Pad Size

<input type="checkbox"/> 3" H x 4" L	<input type="checkbox"/> 4" H x 6" L	<input type="checkbox"/> Additional Cover \$86
<input type="checkbox"/> 3" H x 6" L	<input type="checkbox"/> 4" H x 8" L	

FOOT POSITIONER - SHOE HOLDERS \$295 pr

(with Velcro® Straps only)

	<u>Toe Width</u>	<u>Heel Width</u>	<u>Length</u>		<u>Toe Width</u>	<u>Heel Width</u>	<u>Length</u>
<input type="checkbox"/> Small	2.5"	2.5"	5.5"	<input type="checkbox"/> Large	4.5"	3.5"	10.25"
<input type="checkbox"/> Medium	3.75"	3.5"	8"	<input type="checkbox"/> Extra Large	5.75"	3.75"	11"

SEAT ATTACHING HARDWARE KITS

<input type="checkbox"/> Height Adjustable Quick Mount ⁵	\$627	Kit
<input type="checkbox"/> Standard Quick Mount ^{5,6}	\$418	Kit
<input type="checkbox"/> Snaptite with collars ⁷	\$494	Kit
<input type="checkbox"/> TriCell™	\$200	Kit

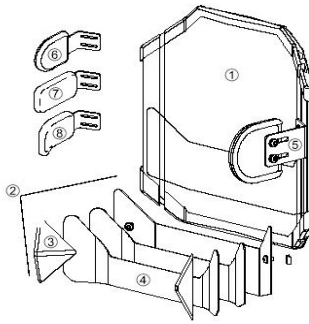
(For rectangular or square tubing and S-626)

Seat rail diameter _____

*Transit Option approved. 1" diameter only tube

ADJUSTABLE CONTOUR BACK (includes foam insert and choice of cover)¹

Custom Embroidery (12 letter limit, not available on AirExchange™ back cover)



Custom Embroidery (12 letter limit, not available on Air Exchange™ back cover)

Custom Embroidery _____ N/C
 Name: _____
 Colour: _____
 Or match frame colour

Cover Style (indicate colour)

Incontinent _____ Qty _____
 AirExchange™ (Black only. Embroidery not available) Qty _____
 Naugahyde _____ Qty _____
 Spinal Fluid Pad (incontinent cover only) \$ _____

Accessories

Shoulder Harness Guides Kit \$65 ea Qty _____
 Universal Headrest Mounting Plate \$114 ea Qty _____
 (necessary to mount any headrest)

① BACK WIDTH & HEIGHT (back width is 1" narrower than frame width)²

10" Frame Width Height 12" 14" \$836 ea
 12" Frame Width Height 14" 16" 18" \$836 ea
 14" Frame Width Height 12" 14" 16" 18" 20" \$941 ea

16" Frame Width Height 14" 16" 18" 20" 22" \$941 ea
 18" Frame Width Height 14" 16" 18" 20" 22" \$1,036 ea

② LATERAL / POSTERIOR PELVIC SUPPORT KIT

Kit \$209 ea
 (includes mounting plate; one narrow and one wide posterior contour strip & one pair lateral pyramids)
 (see ③ and ④)

③ LATERAL PYRAMIDS

Small Large

④ ADDITIONAL POSTERIOR CONTOUR STRIP \$42 ea

Quantity: _____ Narrow (1 3/4") _____ Wide (2 1/4")

⑤ LATERAL THORACIC SUPPORTS

Hardware Style

Fixed \$152 pr
 Swing-away \$656 pr

Internal Mounting brackets

Straight to 1" inset
 1" - 2" inset

External mounting brackets³

Straight
 1" inset
 2" inset

Miscellaneous

Bracket Spacers (1/4" thick each) \$19 ea Qty _____
 Winter / Summer Adjustment Kit \$162 pr
 (only available on external mounting bracket)

⑥ THORACIC PADS (Select from ⑥, ⑦ or ⑧) (All pads will work on any bracket)

Paddle Style \$218 pr
 (includes AirExchange cover)
 Size: 4 x 4 5 x 5 6 x 6

⑦ Flat Style

⑧ Curved Style

Pad Size (flat or curved) \$218 pr **Pad Covers** \$80 pr
 (optional for flat or curved)
 3"H x 4" L 4" H x 4" L
 3"H x 5" L 4" H x 5" L
 3"H x 6" L 4" H x 6" L
 Rubatex
 Naugahyde
 Incontinent
 Custom Size:
 Height: _____ Length: _____ \$383 pr

HEAD SUPPORTS* Choose style, pad size, pad cover, hardware and vertical adjustment

1 Style - Standard Rubatex

Power Style \$693
 Single Pad \$418
 Three Pad (1 posterior & 2 lateral occipital pads) \$732
 Three Pad Rotational \$1,358
 Four Pad \$941
 Four Pad Rotational \$1,567
 Full Width Planar (Includes Hardware) \$371

Height: _____ Length: _____

2 Pads - Posterior (1 & 3 Pad Only)

Small (3 1/2" x 7 3/4")
 Large (5 1/2" x 10 1/2")

Pads - Posterior (Power Style)

Small (4 1/2" x 7 1/2")
 Large (5" x 8 1/2")

Occipital Pad Offset (3 & 4 Pad Only)

Standard
 Junior

3 Mounting Hardware

Slide-In
 Short
 Long

Flip-Back \$190 Add'l

Extra short
 Short
 Long

* Head support requires universal headrest mounting plate

ANTERIOR TRUNK SUPPORTS

Shoulder Harness (requires shoulder harness guide kit)

Small Medium Large \$228 ea

Chest Strap

Medium Large \$89 ea

BACK ATTACHING HARDWARE KITS

Adj. Quick Mount⁵ \$517 Kit
 Snaptide with collars \$465 Kit
 TriCell™ (T45) \$200 Kit

Upper back tube diameter _____
 Lower back tube diameter _____

⁵Transit Option Approved 1" diameter only tube

TABLE A

Width Between Lateral Pelvic Supports		
Frame Size	½" Inset - 0"	1" - ½" Inset
10"	6.75" - 7.75"	5.75" - 6.75"
12"	8.75" - 9.75"	7.75" - 8.75"
14"	10.75" - 11.75"	9.75" - 10.75"
16"	12.75" - 13.75"	11.75" - 12.75"

TABLE B

Width Between Lateral Thigh Supports		
Frame Size	1" Inset - 0"	½" Inset - ½" Offset
10"	6.5" - 8.5"	7.5" - 9.5"
12"	8.5" - 10.5"	9.5" - 11.5"
14"	10.5" - 12.5"	11.5" - 13.5"
16"	12.5" - 14.5"	13.5" - 15.5"

Specifications Subject to Change Without Notice.

Fit System Footnotes:

Notes: When ordering an insert with your Quickie 2 wheelchair, you must order medium or high push handles. Low push handles are not available.

1. Weight limit: 150 lb. Adjustable Contour System, 250 lb. on 18" wide system.
2. For odd size frame widths, order Fit system for next size down (e.g. 13" frame width would order Fit system for 12" frame width). Insert will be 2" narrower than frame.
3. Trunk pads may interfere with flip-up armrests.
4. Number of anterior well reducers will vary based on seat depth ordered.
5. Not available in ¾" diameter.
6. Standard Quick Mount hardware is not available on any chair with a cross strut that is level with the seat rail. Must use Height Adjustable Quick Mount.
7. Snaptite hardware may interfere with wheel locks on all Zippie 2 wheelchairs with kids frame length and regular frame length with 24" rear wheels.

TOTAL \$ _____
