



ZIPPIE TS (Transit Included)

EIZ1A
MASS 2011



Effective: August 2011

ORDERING INFORMATION: Phone: (02) 8858 9191 • Fax: (02) 8858 9155 • Email: orders@sunrisemedical.com.au

ACCOUNT INFORMATION

Account No: _____	Ship To: _____
Date: _____	Name: _____
P.O. #: _____	Address: _____
Buyer: _____	City / State: _____
Marked For: _____	Postcode: _____ Phone: _____

ZIPPIE TS (Transit Included)

1. FRAME STYLE

All Zippie TS models grow in width and depth.

- | | | | | | |
|----------------------------------|--|---------|----------------------------------|--|---------|
| <input type="checkbox"/> 187WM65 | Folding Growing Zippie TS
<i>(Includes True Fit Growth)</i> | \$4,295 | <input type="checkbox"/> 187WM66 | Rigid Growing Zippie TS
<i>(Includes True Fit Growth)</i> | \$4,195 |
|----------------------------------|--|---------|----------------------------------|--|---------|

2. TRANSIT SYSTEM

- | | | |
|----------------------------------|---|----|
| <input type="checkbox"/> 187TO12 | Transit Included w/ Seating
<i>(Req. Selection of Seat & Back)</i> | NC |
|----------------------------------|---|----|

3. TILT OPTION

- | | | |
|----------------------------------|---|-----|
| <input type="checkbox"/> 187TT12 | Dual Trigger Cable Release | NC |
| <input type="checkbox"/> 187VZ01 | Criss Cross Cables
<i>(Cables are longer individually)</i> | NC |
| <input type="checkbox"/> 187VZ02 | Non Criss Cross | STD |
| <input type="checkbox"/> 187TT8 | Cable Foot Release
<i>(May limit folding width)</i> | NC |

Base price includes frame, standard wheels, casters, standard upholstery, standard wheel locks. Client accessories and other options to alter chair performance are additional charge.

4. FRAME COLOUR

STANDARD COLOURS

- | | | |
|----------------------------------|---|----|
| <input type="checkbox"/> 184C2 | Black <i>(Not avail as base w/ Zebra)</i> | NC |
| <input type="checkbox"/> 184C10 | Black Opal | NC |
| <input type="checkbox"/> 184C38 | Blue Opal | NC |
| <input type="checkbox"/> 184C36 | Candy Blue | NC |
| <input type="checkbox"/> 184C35 | Candy Red | NC |
| <input type="checkbox"/> 184C128 | Copper | NC |
| <input type="checkbox"/> 184C6 | Forest Green | NC |
| <input type="checkbox"/> 184C127 | Fuscia | NC |
| <input type="checkbox"/> 184C126 | Glow | NC |
| <input type="checkbox"/> 184C4 | Midnight Purple | NC |
| <input type="checkbox"/> 184C5 | Pearl Pink | NC |
| <input type="checkbox"/> 184C103 | Rootbeer | NC |
| <input type="checkbox"/> 184C114 | Sparkle Silver | NC |
| <input type="checkbox"/> 184C11 | Toxic Green | NC |
| <input type="checkbox"/> 184C8 | Yellow | NC |
| <input type="checkbox"/> 184C113 | Titanium Paint Colour | NC |

CUSTOM COLOURS

- | | | |
|----------------------------------|----------------------|-------|
| <input type="checkbox"/> 184C43 | Mossy Oak Camouflage | \$315 |
| <input type="checkbox"/> 184C42 | Stars & Stripes | \$315 |
| <input type="checkbox"/> 184C108 | Zebra | \$315 |

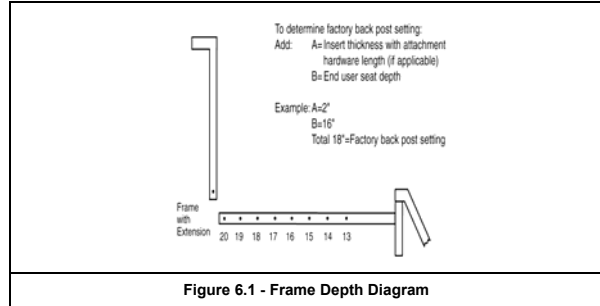
*(Choose base colour above -
Not avail. in black.
Std white base if no colour is chosen)*

5. FRAME WIDTH

<input type="checkbox"/> 187W25	Small Cross Brace	NC	<input type="checkbox"/> 187W27	Large Cross Brace	NC
<input type="checkbox"/> 187S1	10"	NC	<input type="checkbox"/> 187S5	14"	NC
<input type="checkbox"/> 187S2	11"	NC	<input type="checkbox"/> 187S6	15"	NC
<input type="checkbox"/> 187S3	12"	NC	<input type="checkbox"/> 187S7	16"	NC
<input type="checkbox"/> 187W26	Medium Cross Brace	NC	<input type="checkbox"/> 187W28	X-Large Cross Brace	NC
<input type="checkbox"/> 187S3	12"	NC	<input type="checkbox"/> 187S7	16"	NC
<input type="checkbox"/> 187S4	13"	NC	<input type="checkbox"/> 187S8	17"	NC
<input type="checkbox"/> 187S5	14"	NC	<input type="checkbox"/> 187S9	18"	NC

6. FRAME DEPTH AND BACK POST LOCATION - Fig 6.1

<input type="checkbox"/> 187FD4	13" Frame Depth	NC
<input type="checkbox"/> 187FD5	14" Frame Depth	NC
<input type="checkbox"/> 187FD6	15" Frame Depth	NC
<input type="checkbox"/> 187FD7	16" Frame Depth	NC
<input type="checkbox"/> 187FD8	17" Frame Depth	NC
<input type="checkbox"/> 187FD9	18" Frame Depth	NC
<input type="checkbox"/> 187FD10	19" Frame Depth <i>(Uses rear frame extension plug)</i>	NC
<input type="checkbox"/> 187FD11	20" Frame Depth <i>(Uses rear frame extension plug)</i>	NC



7. SEATING

SEATS

Standard MASS Seating Package

<input type="checkbox"/> 162ST35	Standard Seat Pan & basic cushion	STD
<input type="checkbox"/> 162ST36	Jay Basic Back	STD
<input type="checkbox"/>	Plush 10" with Cobra mount	STD
<input type="checkbox"/>	OMIT MASS SEATING PACKAGE	-\$700

For Custom Seating, see Jay Price Book or check below

<input type="checkbox"/> 187ST16	Solid Seat (Req. Solid Back) <i>(N/A w/ 10" - 13" W x 19" - 20" Frame Depth or 17" - 18" W x 13" - 17" Frame Depth)</i>	\$150
<input type="checkbox"/> 187ST14	Growing Seat Pan Depth (Fig. 7.1)	\$225
<input type="checkbox"/> 187ST28	For use w/ Conv. Seat <i>(Seating not incl. Attach seating OF)</i>	See OF
<input type="checkbox"/> 187ST29	For use w/ Jay Fit Seat <i>(Seating not incl. Attach seating OF)</i>	See OF
<input type="checkbox"/> 187ST5	Omit Seat	STD

BACKS

(Solid Back Depth = 2" Less Than Frame Depth)

<input type="checkbox"/> 187BT37	Short Solid Back 12" <i>(Requires solid seat)</i>	\$150
<input type="checkbox"/> 187BT38	Med. Solid Back 14"	\$150
<input type="checkbox"/> 187BT39	Tall Solid Back 16"	\$150
<input type="checkbox"/> 187BT40	For use w/ Conv. Back <i>(Seating not incl. Attach seating OF)</i>	See OF
<input type="checkbox"/> 187BT41	For use w/ Jay Fit Back <i>(Seating not incl. Attach seating OF)</i>	See OF
<input type="checkbox"/> 187BT13	Omit Backrest	NC

REFERENCE ONLY

Seat Depth Pan Size	Depth Range	
	Minimum	Maximum
Medium 13"-14"	11 3/4"	16 1/4"
Long 15"-17"	13 3/4"	18 1/4"
X-Long 18"-20"	15 3/4"	20 1/4"

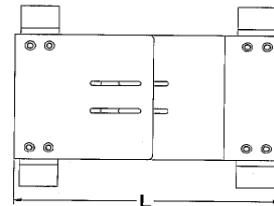
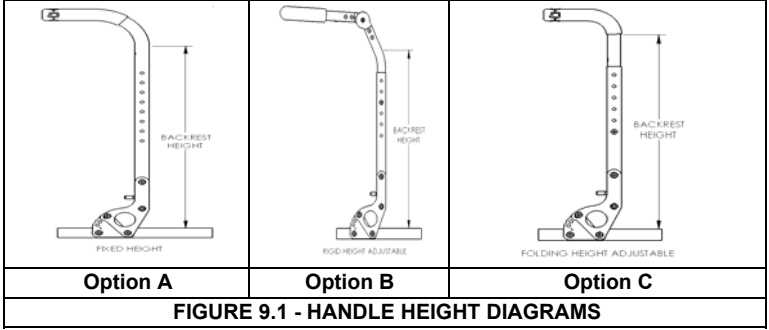


Figure 7.1 - Frame Depth Growth Range Matrix

8. STROLLER HANDLE BACK POSTS - BACK RESTS - please choose A, B or C option only

A) FIXED HEIGHT		
<input type="checkbox"/>	187BP9	Low (19" Height) NC
<input type="checkbox"/>	187BP10	Medium (22" Height) NC
<input type="checkbox"/>	187BP11	Tall (25" Height) NC
<input type="checkbox"/>	187BP13	Removable Extension \$143
<input type="checkbox"/>	187RG1	Folding Adjustable Rigidizer \$295

B) HEIGHT ADJUSTABLE		
<i>Rigid Frame w/ Angle Adjust Push Handle</i>		
<input type="checkbox"/>	187B202	Std (16" - 22" Height) NC
<input type="checkbox"/>	187PH8	Std Angle Adj. Push Handle Length NC
<input type="checkbox"/>	187PH9	Long Angle Adj. Push Handle Length NC
Tall (19" - 25" Height)		
<input type="checkbox"/>	187B203	Tall (19" - 25" Height) NC
<input type="checkbox"/>	187PH8	Std Angle Adj. Push Handle Length NC
<input type="checkbox"/>	187PH9	Long Angle Adj. Push Handle Length NC



C) FOLDING FRAME WITH PUSH HANDLE		
<input type="checkbox"/>	187B204	Std (17" - 23" Height) NC
<input type="checkbox"/>	187BP15	Swing Away Handle \$55 <i>(Not available with dual triggers)</i>
<input type="checkbox"/>	187B205	Tall (20" - 26" Height) NC
<input type="checkbox"/>	187BP15	Swing Away Handle \$55 <i>(Not available with dual triggers)</i>

9. ARMRESTS

ARMREST & ARMPAD		
<input type="checkbox"/>	187AA12	T-Post Regular w/ Foam NC
<input type="checkbox"/>	187AA13	T-Post Tall w/ Foam NC
<input type="checkbox"/>	187AA3	Flip-Up NC
<input type="checkbox"/>	187AA1	Adjustable Locking Flip-Up \$230
<input type="checkbox"/>	187AA7	Length Adjust. Locking Flip-Up \$235

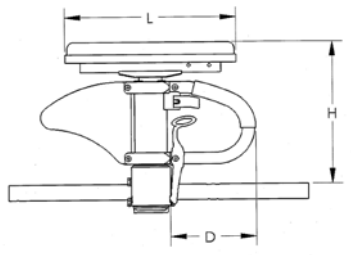
ARMREST - HEIGHT ADJUSTABLE		
<i>refer to below table for height ranges</i>		
<input type="checkbox"/>	187AA11	Single-Post Height Adj. - Std \$193
<input type="checkbox"/>	187AM23	Desk Classic NC
<input type="checkbox"/>	187AM21	Desk Contour NC
<input type="checkbox"/>	187AM24	Full Classic NC
<input type="checkbox"/>	187AM22	Full Contour NC
<input type="checkbox"/>	187AA29	Single-Post Height Adj. - Low \$193
<input type="checkbox"/>	187AM23	Desk Classic NC
<input type="checkbox"/>	187AM21	Desk Contour NC
<input type="checkbox"/>	187AM24	Full Classic NC
<input type="checkbox"/>	187AM22	Full Contour NC

ARMPAD SELECTION FOR THE ABOVE		
<input type="checkbox"/>	187AM23	Desk Length (10") NC
<input type="checkbox"/>	187AM24	Full Length (14") NC
<input type="checkbox"/>	187AM9	Foam Short NC <i>(Not avail. w/ T-Post)</i>
<input type="checkbox"/>	187AM11	Foam Long NC <i>(Not avail. w/ T-Post)</i>

ARMREST RECEIVER FOR HEIGHT ADJUSTABLE ARMREST		
<input type="checkbox"/>	187AR17	Low NC <i>(Not avail. w/ Lite Spokes)</i>
<input type="checkbox"/>	187AR18	Std NC

CLASSIC PAD					
Armrest Size	Transfer Tube Length D	Receiver	H Range	Pad Length L	
				Desk	Full
STD	8"	STD	10 3/4" to 15 3/4"	10 1/4"	14"
		LOW	8 3/4" to 13 3/4"		
LOW	5 1/4"	STD	9" to 13"		
		LOW	7 1/4" to 11 1/4"		

CONTOUR PAD					
Armrest Size	Transfer Tube Length D	Receiver	H Range	Pad Length L	
				Desk	Full
STD	8"	STD	10" to 15"	10 1/2"	14 1/4"
		LOW	8 1/4" to 12 1/2"		
LOW	5 1/4"	STD	8 1/2" to 12 1/2"		
		LOW	6 3/4" to 10 3/4"		



Armrest Matrix for Single Post

10. FOOTRESTS - please choose A) Hanger Mounted OR B) Ext. Tube Mounted

A) Hanger Mounted Footrest (Footplates Mount to Hanger Tubing)

Hanger Type		
<input type="checkbox"/> 187H89	70° Swing In / Out Front Mount	NC
<input type="checkbox"/> 187H90	80° Swing In / Out Front Mount	NC
<input type="checkbox"/> 187H91	90° Swing In / Out Front Mount	NC
<input type="checkbox"/> 187H9	70° Hvy Dty Fnt Mount Lift-Off	\$171
<input type="checkbox"/> 187H10	80° Hvy Dty Fnt Mount Lift-Off	\$171
<input type="checkbox"/> 187H11	90° Hvy Dty Fnt Mount Lift-Off	\$171
<input type="checkbox"/> 187H23	90° Elevating	\$278

Extensions (may interfere with some seat heights & casters)

<input type="checkbox"/> 187E23	2" (not mounted)	\$45
<input type="checkbox"/> 187E24	4" (not mounted)	\$45

Footplate

<input type="checkbox"/> 187F9	Kids Angle Adjustable w/ Leg Strap (N/A w/ 17" - 18" widths)	NC
<input type="checkbox"/> 187F8	Adult Angle Adj. w/ Heel Loops (Available with 10" - 18" widths)	NC
<input type="checkbox"/> 187F62	Footboard w/ leg Strap (Available with 10" - 16" widths)	NC

B) Ext. Tube Mounted Footrests (Footplates Mount to Ext. Tube)

Hanger Type		
<input type="checkbox"/> 187H85	60° Swing In / Out	NC
<input type="checkbox"/> 187H86	70° Swing In / Out	STD
<input type="checkbox"/> 187H116	80° Swing In / Out	STD
<input type="checkbox"/> 187H24	Articulating (Not avail. w/ 10" - 13" composite footplates)	\$413
<input type="checkbox"/> 187H14	Elevating (Not avail. w/ composite or platform footplates)	\$278

Extensions

<input type="checkbox"/> 187E1	Short (11.5" - 14")	NC
<input type="checkbox"/> 187E2	Med (14" - 17") (Not avail. w/ ELR)	NC
<input type="checkbox"/> 187E5	Long (17" - 19")	NC
<input type="checkbox"/> 187E16	High Mount	\$99

Footplate

<input type="checkbox"/> 187F1	Composite w/ Heel Loops (Not avail. in 10", 11" or 12" width)	STD
<input type="checkbox"/> 187F3	Adult Angle Adjustable w/ Heel Loops	NC
<input type="checkbox"/> 187F4	Kids Angle Adjustable w/ Leg Strap (N/A w/ 17"-18" width)	NC
<input type="checkbox"/> 187F5	Aluminium (Only available with elevating legrests 11" - 18")	NC
<input type="checkbox"/> 187F48	Platform Flip-Up w/ Leg Strap (Avail on 60° / 70° / 80° ext. mount hangers only)	\$225

Footrest Hanger Options

<input type="checkbox"/> 187IG2	Neoprene Covers (Avail. on 60° / 70° / 80° ext. mount hangers only)	\$59
<input type="checkbox"/> 187A54	Extra Single Leg Strap	\$30
<input type="checkbox"/> 187A110	Toe Loop (Only avail. w/ adult angle adjust. footplates)	\$40
<input type="checkbox"/> 187H32	Omit Hanger	-\$15
<input type="checkbox"/> 187F7	Omit Footplate & Ext. Tube	-\$15
<input type="checkbox"/> 187HL4	Omit Heel Loop	NC
<input type="checkbox"/> 187HL6	Omit Single Leg Strap	NC

Rear Wheel Size	CASTER SIZE					
	○ 3	○ 4	○ 5	○ 6	○ 8	○ 8x2
○ 12	○ 17.0	○ 16.5	○ 16.5	○ 17.0	N/A	N/A
	○ 17.5	○ 17.0	○ 17.0	○ 17.5		
○ 12 Low Poly	○ 16.0	○ 16.0	○ 16.0	○ 16.5	N/A	N/A
	○ 16.5	○ 16.5	○ 16.5			
○ 16	○ 15.5	○ 15.5	○ 15.5		○ 18.0	○ 18.5
	○ 18.0	○ 18.0	○ 18.0	○ 18.0		
	○ 18.5	○ 18.5	○ 18.5	○ 18.5		
○ 18	○ 15.5	○ 15.5	○ 15.5	○ 16.5	N/A	N/A
	○ 16.0	○ 16.0	○ 16.0			
	○ 16.5	○ 16.5	○ 16.5			
	○ 17.0					
○ 20	○ 15.5	○ 15.5	○ 15.5	○ 18.0	○ 18.5	○ 18.5
	○ 16.0	○ 16.0	○ 16.0			
	○ 16.5	○ 16.5	○ 16.5			
	○ 17.0	○ 17.0	○ 17.0			
	○ 17.5	○ 17.5	○ 17.5			
	○ 18.0	○ 18.0	○ 18.0			
○ 22	○ 16.5	○ 16.5	○ 16.5	○ 16.5	○ 18.5	○ 19.0
	○ 17.0	○ 17.0	○ 17.0	○ 17.0		
	○ 17.5	○ 17.5	○ 17.5	○ 17.5		
	○ 18.0	○ 18.0	○ 18.0	○ 18.0		
	○ 18.5	○ 18.5	○ 18.5	○ 18.5		
○ 24	○ 17.0				○ 19.0	○ 20.0
	○ 17.5	○ 17.5	○ 17.5	○ 17.5		
	○ 18.0	○ 18.0	○ 18.0	○ 18.0		
	○ 18.5	○ 18.5	○ 18.5	○ 18.5		
		○ 19.0	○ 19.0	○ 19.0		
		○ 19.5	○ 19.5	○ 19.5		
		○ 20.0	○ 20.0	○ 20.0		

Chart A - Seat to Floor Height Matrix Please select FSTFH

Shaded Caster Sizes not available with foot actuated wheel lock.
Note: Rear seat-to-floor ht. may be up to 1.5" lower than front seat-to-floor ht.

11. CASTERS

CASTER WHEEL		
<input type="checkbox"/>	187CW30	3" Micro Light Up \$75
<input type="checkbox"/>	187CW31	4" Micro Light Up \$90
<input type="checkbox"/>	187CW51	5" Micro Light Up \$118
<input type="checkbox"/>	187CW5	5" Low-Profile Polyurethane STD
<input type="checkbox"/>	187CW7	5" x 1.5" Semi-Pneumatic \$66
<input type="checkbox"/>	187CW33	6" Pneumatic \$66
<input type="checkbox"/>	187CW34	6" Polyurethane NC
<input type="checkbox"/>	187CW35	6" x 1.5" Semi-Pneumatic \$66
<input type="checkbox"/>	187CW21	8" Pneumatic NC
<input type="checkbox"/>	187CW32	8" Polyurethane NC
<input type="checkbox"/>	187CW39	8" x 1.5" Semi-Pneumatic \$113
<input type="checkbox"/>	187CW36	8" x 2" Pneumatic \$160
<input type="checkbox"/>	187CW37	8" x 2" Pneumatic w/ Airless Insert \$278

CASTER OPTIONS		
<input type="checkbox"/>	187CS3	Caster Pin Locks \$151 <i>(Not available with 8" x 2" and 8" x 1.5" casters)</i>

Please see Matrix previous page

12. AXLES AND WHEELS

AXLE PLATE		
<input type="checkbox"/>	187AL18	12" Rear Wheel Axle Plate STD <i>(Only avail. w/ 12" or 16" rear wheels)</i>
<input type="checkbox"/>	187AL34	Short Adjustable NC <i>(Not available with 12" rear wheels)</i>
<input type="checkbox"/>	187AL35	Long Adjustable NC <i>(Not available with 12" rear wheels)</i>
<input type="checkbox"/>	187AL17	One Arm Drive \$1,193 <i>(Avail. w/ 20", 22", 24" Mag Rear Wheels & 13" - 18" width)</i>
<input type="checkbox"/>	187OA2	Standard Handrim NC
<input type="checkbox"/>	187HM1	Right NC
<input type="checkbox"/>	187HM2	Left NC
<input type="checkbox"/>	187OA1	Small Handrim NC <i>(Not avail w/ 20" wheels)</i>
<input type="checkbox"/>	187HM1	Right NC
<input type="checkbox"/>	187HM2	Left NC

REAR WHEEL SIZE		
<input type="checkbox"/>	187RW13	12" Mag STD <i>(Not available with handrims)</i>
<input type="checkbox"/>	187RW14	16" Mag NC <i>(Not available with handrims)</i>
<input type="checkbox"/>	187RW3	20" Mag NC
<input type="checkbox"/>	187RW8	22" Mag NC
<input type="checkbox"/>	187RW1	24" Mag NC
<input type="checkbox"/>	187RW12	18" Spoke NC
<input type="checkbox"/>	187RW90	20" Lite Spoke NC
<input type="checkbox"/>	187RW91	22" Lite Spoke NC
<input type="checkbox"/>	187RW92	24" Lite Spoke NC

AXLE		
<input type="checkbox"/>	187AX26	One Arm Drive Axle STD <i>(Only avail. w/ One Arm Drive Option)</i>
<input type="checkbox"/>	187AX1	Quick Release NC
<input type="checkbox"/>	187AX11	Quad Quick Release \$101 <i>(Not available with Lite Spokes)</i>

REAR WHEEL TYRE		
<input type="checkbox"/>	187RT1	Pneumatic NC
<input type="checkbox"/>	187RT2	Pneumatic Airless Insert \$188
<input type="checkbox"/>	187RT3	Full Polyurethane NC <i>(Not avail. w/ 12", 16" and 18" rear wheels)</i>
<input type="checkbox"/>	187RT4	Low Polyurethane NC <i>(Only available with 12" or 24" wheels)</i>
<input type="checkbox"/>	187RT6	High Pressure Clincher \$66 <i>(Only available with 24" spoke wheels)</i>
<input type="checkbox"/>	187RT8	Kevlar \$68 <i>(Only available with 24" wheels)</i>

HANDRIM		
<input type="checkbox"/>	187HR1	Aluminium Anodized NC
<input type="checkbox"/>	187HR4	Plastic Coated \$94

WHEEL LOCK		
<i>Not available with Hub Lock</i>		
<input type="checkbox"/>	187WL1	High Mount Push NC
<input type="checkbox"/>	187WL2	High Mount Pull NC
<input type="checkbox"/>	187WL25	Foot Lock <i>(may limit folding width)</i> NC
<input type="checkbox"/>	187WL10	Omit NC

PROJECTIONS (Not Available on Plastic Coated)		
<i>*Only available with 24" wheels & not available with spoke guards.</i>		
<input type="checkbox"/>	187HR8	8 Oblique \$241

EXTENSION HANDLE		
<input type="checkbox"/>	187EH1	6" Pair \$44

HUB LOCK		
<i>*Only available with 12" or 16" wheels.</i>		
<i>Not avail. w/ Short Axle Plate.</i>		
<i>Not avail. w/ Long Adj. Axle Plate w/ 13", 14" and 20" Frame Depth and one arm drive.</i>		
<input type="checkbox"/>	187LK01	12" Hub Lock \$150
<input type="checkbox"/>	187LK02	16" Hub Lock \$150

ANTI-TIP		
<input type="checkbox"/>	187AO1	Front Anti-Tip \$94 <i>(Not available with caster pin locks)</i> <i>(Not available with transit option)</i>
<input type="checkbox"/>	187AT1	Rear Anti-Tip NC

14. ACCESSORIES

BACKPACK		
<input type="checkbox"/>	187A1	Black Utility Backpack \$55
<input type="checkbox"/>	187A2	Black - Kids \$55

SEAT POUCH		
<input type="checkbox"/>	187A8	Black \$44

MISCELLANEOUS		
<input type="checkbox"/>	187A83	Tool Kit NC

POSITIONING BELT		
<input type="checkbox"/>	187A112	1" Dual Pull Side Squeeze Padded \$98
<input type="checkbox"/>	187A12	Belt 2" Aircraft Buckle \$94
<input type="checkbox"/>	187A13	Belt 2" Aircraft Buckle Padded \$110
<input type="checkbox"/>	187A141	Belt 1.5" Auto Buckle w/ Clamps \$135

SPECIALIZED DEPARTMENT		
PLEASE NOTE THESE ARE SPECIALISED ITEMS AND WILL ADD 2 WEEKS TO DELIVERY TIME		
<input type="checkbox"/>	Yellow Elastomer	11 kg required for deflection \$1,500
<input type="checkbox"/>	Blue Elastomer	18kg required for deflection \$1,500
<input type="checkbox"/>	Red Elastomer	23kg required for deflection \$1,500
NOW TRANSIT APPROVED		

SPOKE GUARD		
<i>(Not available with 12", 16" and 18" rear wheels & Projections Handrims)</i>		
<input type="checkbox"/>	187A23	Black \$110
<input type="checkbox"/>	187A24	Clear \$110

UPPER EXTREMITY SUPPORT TRAY		
<input type="checkbox"/>	187A29	X-Sm (Suggested 10" - 12" Width) \$220
<input type="checkbox"/>	187A30	Sm (Suggested 13" - 14" Width) \$220
<input type="checkbox"/>	187A31	Med (Suggested 15" - 17" Width) \$220
<input type="checkbox"/>	187A32	Lge (Suggested 18" - 20" Width) \$220

SIDE GUARD		
<i>(Not available with height adjustable armrests or T-Post armrests)</i>		
<input type="checkbox"/>	187SG33	Plastic Std \$132
<input type="checkbox"/>	187SG29	Plastic Low \$132

TOTAL CHAIR PRICE: \$ _____

