

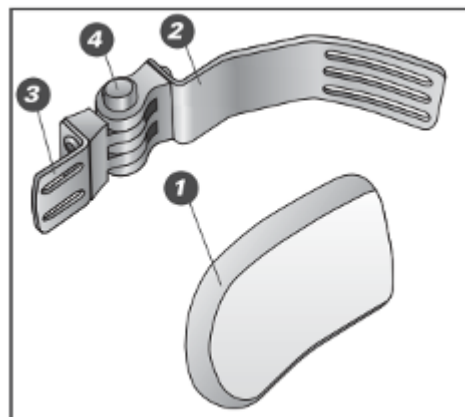
SELECTING THE LATERAL SUPPORTS

Please follow the 4-steps process on the next two pages

1. SELECT EITHER A PAL SWING-AWAY OR A FIXED LATERAL SUPPORT

- PAL™ Swing-Away Lateral Support**

The VARILITE PAL™ Swing-Away Thoracic supports are designed to complement the Icon™ Mid and Icon™ Tall backs. PAL (Positive Action Lateral) supports allow hinge angle, pad rotation, and horizontal pad adjustments for a precise fit. All PAL™ swing-away lateral supports include a neoprene cover that attaches easily to the PAL™ push button hinge.



1. Pad:

Pads are available in contoured or linear styles, in three sizes (see p13). They are made of closed-cell foam with a steel insert that allows horizontal pad adjustment. The pad foam is protected with a removable, machine washable cover.

2. Shell Bracket:

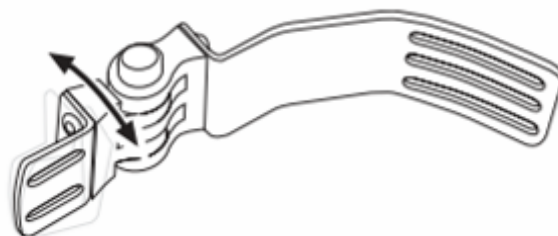
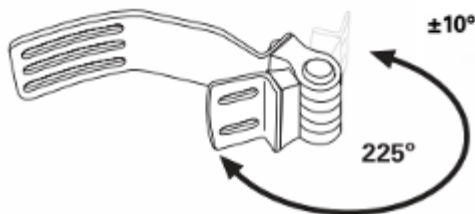
Constructed of steel, the shell bracket is contoured to mount on the inside of a VARILITE Icon™ Mid Back or Tall Back shell. The low profile bracket is less than 1/8" thick.

3. Pad Bracket:

Constructed of steel for strength, the pad bracket attaches securely to the pad. Easy adjustment allows +/- 10° of vertical pad rotation. Pad brackets are available in short, long, and offset sizes.

4. Push Button Hinge:

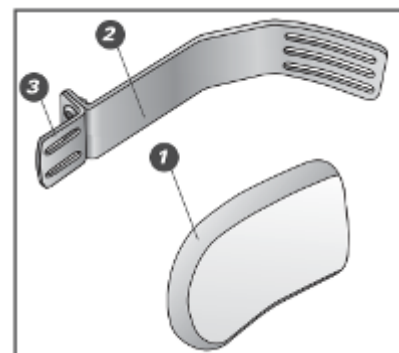
An easily activated push button unlocks the PAL™ swing-away hinge mechanism. Positive Locking Action indicates when the hinge is securely locked. Easy hinge angle adjustment provides up to 225° of swing.



- Fixed Lateral Support**

Fixed lateral supports are available for situations when a swing-away lateral is not required. Fixed lateral supports consist of shell bracket, pad bracket, and pad.

1. Pad
2. Shell Bracket
3. Pad Bracket



2. SELECT TYPE OF BRACKET

- PAL™ Swing-Away Lateral

Pad Bracket	Short	Long	Short w/2 cm Offset
Horizontal Pad Adjustment:	2.5cm	5.7cm	2.5cm
Fits Icon Mid and Tall Backs System Size:			
30cm	89050	89150	89250
35-38cm	89010	89110	89210
40-43cm	89020	89120	89220
45cm	89030	89130	89230
50-60cm	89040	89140	89240

- Fixed Lateral Support

Pad Bracket	Long
Horizontal Pad Adjustment:	5.7cm
Fits Icon Back System Size:	
30cm	89050
35-38cm	89010
40-43cm	89020
45cm	89030
50-60cm	89040

3. SELECT TYPE AND SIZE OF PAD

- Curved Pads

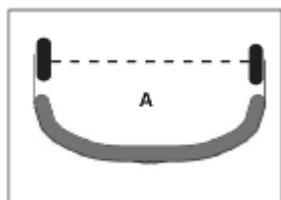
Dimensions W x L	Part Number
7.5 x 10 cm	04317
10 x 13 cm	04319
13 x 15 cm	04321

- Linear Pads

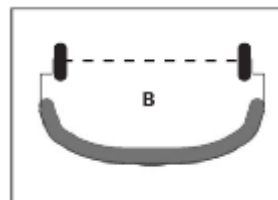
Dimensions W x L	Part Number
7.5 x 10 cm	04307
10 x 13 cm	04309
13 x 15 cm	04311

4. INSTALLATION OF HEAD AND LATERAL SUPPORTS ON ICON BACK

VARILITE PAL™ Swing-Away fixed or lateral thoracic supports may be installed using the slots provided on the back shell. To install head supports or place lateral supports in alternative locations, the aluminium shell may be drilled without voiding the warranty.



MEASURED AT THE
WIDEST POINT



Icon™ Mid Back and Icon™ Tall Back	30 cm	35 cm	38 cm	40 cm	43 cm	45 cm	50 cm	55 cm	60 cm
A. Short and Long brackets width between pads	19 cm	24 cm	26 cm	29 cm	32 cm	34 cm	39 cm	44 cm	49 cm
B. Offset bracket width between pads	17 cm	21 cm	24 cm	26 cm	29 cm	32 cm	37 cm	42 cm	47 cm