



# ZIPPIE TS (Transit Included)



## EIZ1A

Effective: July, 2011

ORDERING INFORMATION: Phone: (02) 8858 9191 • Fax: (02) 8858 9155 • Email: orders@sunrisemedical.com.au

### ACCOUNT INFORMATION

|                |       |               |       |        |       |
|----------------|-------|---------------|-------|--------|-------|
| Account No:    | _____ | Ship To:      | _____ |        |       |
| Date:          | _____ | Name:         | _____ |        |       |
| P.O. #:        | _____ | Address:      | _____ |        |       |
| Therapist:     | _____ | City / State: | _____ |        |       |
| Customer Name: | _____ | Postcode:     | _____ | Phone: | _____ |

### ZIPPIE TS (Transit Included)

#### 1. FRAME STYLE

*All Zippie TS models grow in width and depth.*

- |                                  |  |         |                                  |  |         |
|----------------------------------|--|---------|----------------------------------|--|---------|
| <input type="checkbox"/> 187WM65 | Folding Growing Zippie TS<br><i>(Includes True Fit Growth)</i> | \$3,528 | <input type="checkbox"/> 187WM66 | Rigid Growing Zippie TS<br><i>(Includes True Fit Growth)</i> | \$3,304 |
|----------------------------------|--|---------|----------------------------------|--|---------|

#### 2. TRANSIT SYSTEM

- |                                  |                |    |
|----------------------------------|----------------|----|
| <input type="checkbox"/> 187TO12 | Transit System | NC |
|----------------------------------|----------------|----|

#### 3. TILT OPTION

- |                                  |   |     |
|----------------------------------|---|-----|
| <input type="checkbox"/> 187TT12 | Dual Trigger Cable Release                                    | NC  |
| <input type="checkbox"/> 187VZ01 | Criss Cross Cables<br><i>(Cables are longer individually)</i> | NC  |
| <input type="checkbox"/> 187VZ02 | Non Criss Cross   | STD |
| <input type="checkbox"/> 187TT8  | Cable Foot Release<br><i>(May limit folding width)</i>        | NC  |

#### 4. FRAME COLOUR

##### STANDARD COLOURS

- |                                  |                                     |    |
|----------------------------------|-------------------------------------|----|
| <input type="checkbox"/> 184C2   | Black <i>(N/A as base w/ Zebra)</i> | NC |
| <input type="checkbox"/> 184C10  | Black Opal                          | NC |
| <input type="checkbox"/> 184C38  | Blue Opal                           | NC |
| <input type="checkbox"/> 184C36  | Candy Blue                          | NC |
| <input type="checkbox"/> 184C35  | Candy Red                           | NC |
| <input type="checkbox"/> 184C128 | Copper                              | NC |
| <input type="checkbox"/> 184C6   | Forest Green                        | NC |
| <input type="checkbox"/> 184C127 | Fuchsia                             | NC |
| <input type="checkbox"/> 184C126 | Glow                                | NC |
| <input type="checkbox"/> 184C4   | Midnight Purple                     | NC |
| <input type="checkbox"/> 184C5   | Pearl Pink                          | NC |
| <input type="checkbox"/> 184C103 | Rootbeer                            | NC |
| <input type="checkbox"/> 184C114 | Sparkle Silver                      | NC |
| <input type="checkbox"/> 184C114 | Toxic Green                         | NC |
| <input type="checkbox"/> 184C8   | Yellow                              | NC |
| <input type="checkbox"/> 184C113 | Titanium Paint colour               | NC |

##### CUSTOM COLOURS

- |                                  |                      |       |
|----------------------------------|----------------------|-------|
| <input type="checkbox"/> 187C43  | Mossy Oak Camouflage | \$353 |
| <input type="checkbox"/> 187C42  | Stars and Stripes    | \$353 |
| <input type="checkbox"/> 187C108 | Zebra                | \$353 |

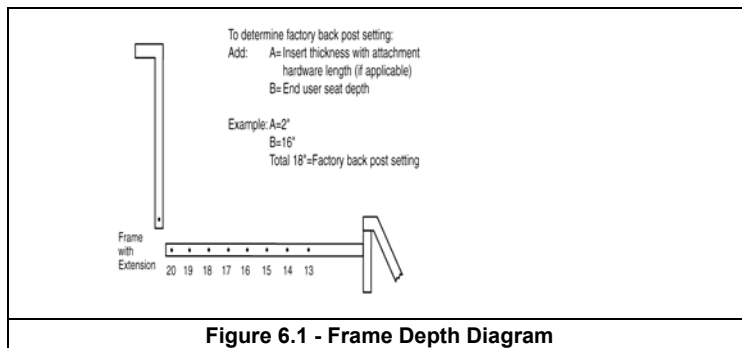
*(Choose base colour above - Not avail. in black. Std white base if no colour is chosen)*

### 5. FRAME WIDTH

|                                 |                           |           |                                 |                            |           |
|---------------------------------|---------------------------|-----------|---------------------------------|----------------------------|-----------|
| <input type="checkbox"/> 187W25 | <b>Small Cross Brace</b>  | <b>NC</b> | <input type="checkbox"/> 187W27 | <b>Large Cross Brace</b>   | <b>NC</b> |
| <input type="checkbox"/> 187S1  | 10"                       | NC        | <input type="checkbox"/> 187S5  | 14"                        | NC        |
| <input type="checkbox"/> 187S2  | 11"                       | NC        | <input type="checkbox"/> 187S6  | 15"                        | NC        |
| <input type="checkbox"/> 187S3  | 12"                       | NC        | <input type="checkbox"/> 187S7  | 16"                        | NC        |
| <input type="checkbox"/> 187W26 | <b>Medium Cross Brace</b> | <b>NC</b> | <input type="checkbox"/> 187W28 | <b>X-Large Cross Brace</b> | <b>NC</b> |
| <input type="checkbox"/> 187S3  | 12"                       | NC        | <input type="checkbox"/> 187S7  | 16"                        | NC        |
| <input type="checkbox"/> 187S4  | 13"                       | NC        | <input type="checkbox"/> 187S8  | 17"                        | NC        |
| <input type="checkbox"/> 187S5  | 14"                       | NC        | <input type="checkbox"/> 187S9  | 18"                        | NC        |

### 6. FRAME DEPTH AND BACK POST LOCATION

|                                  |  |    |
|----------------------------------|--|----|
| <input type="checkbox"/> 187FD4  | 13" Frame Depth  | NC |
| <input type="checkbox"/> 187FD5  | 14" Frame Depth  | NC |
| <input type="checkbox"/> 187FD6  | 15" Frame Depth  | NC |
| <input type="checkbox"/> 187FD7  | 16" Frame Depth  | NC |
| <input type="checkbox"/> 187FD8  | 17" Frame Depth  | NC |
| <input type="checkbox"/> 187FD9  | 18" Frame Depth  | NC |
| <input type="checkbox"/> 187FD10 | 19" Frame Depth<br><i>(Uses rear frame extension plug)</i> | NC |
| <input type="checkbox"/> 187FD11 | 20" Frame Depth<br><i>(Uses rear frame extension plug)</i> | NC |



### 7. SEATING

#### SEATS

|                                  |  |        |
|----------------------------------|--|--------|
| <input type="checkbox"/> 187ST16 | Solid Seat (Req. Solid Back)<br><i>(N/A w/ 10"-13" W x 19"-20" Frame Depth<br/>OR 17"-18" W x 13"-17" Frame Depth)</i> | \$168  |
| <input type="checkbox"/> 187ST14 | Growing Seat Pan Depth (Fig. 7.1)  | \$252  |
| <input type="checkbox"/> 187ST28 | For use w/ Conv. Seat<br><i>(Seating not incl. Attach Seating OF)</i>  | See OF |
| <input type="checkbox"/> 187ST29 | For use w/ Jay Fit Seat<br><i>(Seating not incl. Attach Seating OF)</i>  | See OF |
| <input type="checkbox"/> 187ST5  | Omit Seat  | STD    |

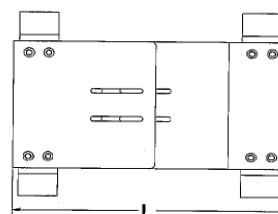
#### BACKS

*(Solid Back Depth = 2" Less Than Frame Depth)*

|                                  |   |        |
|----------------------------------|---|--------|
| <input type="checkbox"/> 187BT37 | Short Solid Back 12"<br><i>(Requires solid seat)</i>                    | \$168  |
| <input type="checkbox"/> 187BT38 | Med. Solid Back 14"   | \$168  |
| <input type="checkbox"/> 187BT39 | Tall Solid Back 16"   | \$168  |
| <input type="checkbox"/> 187BT40 | For use w/ Conv. Back<br><i>(Seating not incl. Attach Seating OF)</i>   | See OF |
| <input type="checkbox"/> 187BT41 | For use w/ Jay Fit Back<br><i>(Seating not incl. Attach Seating OF)</i> | See OF |
| <input type="checkbox"/> 187BT13 | Omit Backrest   | NC     |

#### REFERENCE ONLY

| Seat Depth Pan Size | Depth Range |         |
|---------------------|-------------|---------|
|                     | Minimum     | Maximum |
| Long 15"-17"        | 13 3/4"     | 18 1/4" |
| X-Long 18"-20"      | 15 3/4"     | 20 1/4" |



Depth

**Figure 7.1 - Frame Depth Growth Range Matrix**

**8. STROLLER HANDLE BACK POSTS - BACK RESTS (Please choose A, B or C option)**

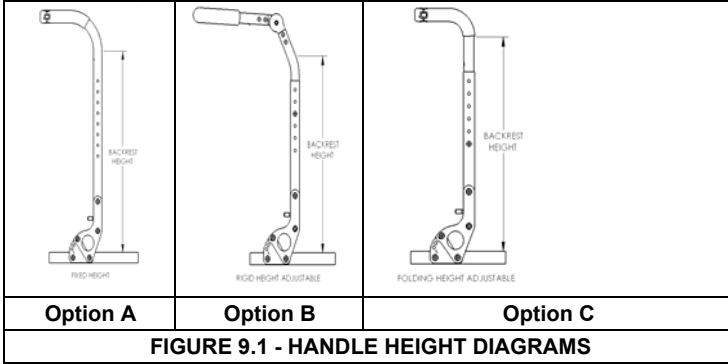
**A) FIXED HEIGHT**

|                                  |                              |       |
|----------------------------------|------------------------------|-------|
| <input type="checkbox"/> 187BP9  | Low (19" Height) - Standard  | NC    |
| <input type="checkbox"/> 187BP10 | Medium (22" Height)          | NC    |
| <input type="checkbox"/> 187BP11 | Tall (25" Height)            | NC    |
| <input type="checkbox"/> 187BP13 | Removable Extension          | \$143 |
| <input type="checkbox"/> 187RG1  | Folding Adjustable Rigidizer | \$295 |

**B) HEIGHT ADJUSTABLE**

Rigid Frame w/ Angle Adjust Push Handle

|                                  |                                    |    |
|----------------------------------|------------------------------------|----|
| <input type="checkbox"/> 087B202 | <b>Std (16" - 22" Height)</b>      | NC |
| <input type="checkbox"/> 087PH8  | Std Angle Adj. Push Handle Length  | NC |
| <input type="checkbox"/> 087PH9  | Long Angle Adj. Push Handle Length | NC |
| <input type="checkbox"/> 087B203 | <b>Tall (19" - 25" Height)</b>     | NC |
| <input type="checkbox"/> 087PH8  | Std Angle Adj. Push Handle Length  | NC |
| <input type="checkbox"/> 087PH9  | Long Angle Adj. Push Handle Length | NC |



**FIGURE 9.1 - HANDLE HEIGHT DIAGRAMS**

**C) FOLDING FRAME WITH PUSH HANDLE**

|                                  |   |      |
|----------------------------------|---|------|
| <input type="checkbox"/> 187B204 | <b>Std (17" - 23" Height)</b>                 | NC   |
| <input type="checkbox"/> 187BP15 | Swing Away Handle<br>(N/A with dual triggers) | \$55 |
| <input type="checkbox"/> 187B205 | <b>Tall (20" - 26" Height)</b>                | NC   |
| <input type="checkbox"/> 187BP15 | Swing Away Handle<br>(N/A with dual triggers) | \$55 |

**9. ARMRESTS**

**ARMREST & ARMPAD**

|                                  |                                    |       |
|----------------------------------|------------------------------------|-------|
| <input type="checkbox"/> 187AA12 | T-Post Regular w/ Foam             | NC    |
| <input type="checkbox"/> 187AA13 | T-Post Tall w/ Foam                | NC    |
| <input type="checkbox"/> 087AA3  | Flip-Up                            | NC    |
|                                  | <input type="checkbox"/> 10" - 13" |       |
|                                  | <input type="checkbox"/> 14" - 16" |       |
| <input type="checkbox"/> 187AA1  | Adjustable Locking Flip-Up         | \$250 |
| <input type="checkbox"/> 187AA7  | Length Adjustable Locking Flip-Up  | \$260 |

**ARMREST - HEIGHT ADJUSTABLE**

Please refer to the matrix below.

|                                  |                                      |       |
|----------------------------------|--------------------------------------|-------|
| <input type="checkbox"/> 187AA11 | <b>Single-Post Height Adj. - Std</b> | \$250 |
| <input type="checkbox"/> 187AM23 | Desk Classic                         | NC    |
| <input type="checkbox"/> 187AM21 | Desk Contour                         | NC    |
| <input type="checkbox"/> 187AM24 | Full Classic                         | NC    |
| <input type="checkbox"/> 187AM22 | Full Contour                         | NC    |
| <input type="checkbox"/> 187AA29 | <b>Single-Post Height Adj. - Low</b> | \$250 |
| <input type="checkbox"/> 187AM23 | Desk Classic                         | NC    |
| <input type="checkbox"/> 187AM21 | Desk Contour                         | NC    |
| <input type="checkbox"/> 187AM24 | Full Classic                         | NC    |
| <input type="checkbox"/> 187AM22 | Full Contour                         | NC    |

**ARMPAD SELECTION FOR THE ABOVE**

|                                  |                               |    |
|----------------------------------|-------------------------------|----|
| <input type="checkbox"/> 187AM23 | Desk Length (10")             | NC |
| <input type="checkbox"/> 187AM24 | Full Length (14")             | NC |
| <input type="checkbox"/> 187AM9  | Foam Short<br>(N/A w/ T Post) | NC |
| <input type="checkbox"/> 187AM11 | Foam Long<br>(N/A w/ T Post)  | NC |

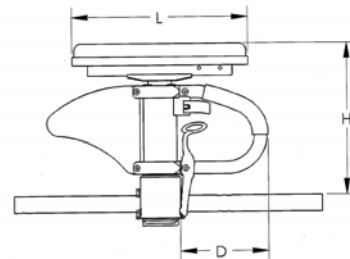
**ARMREST RECEIVER FOR HEIGHT ADJUSTABLE ARMREST**

Please refer to the matrix below.

|                                  |                                 |    |
|----------------------------------|---------------------------------|----|
| <input type="checkbox"/> 187AR17 | <b>Low (N/A w/ Lite Spokes)</b> | NC |
| <input type="checkbox"/> 187AR18 | Std                             | NC |

**Armrest Matrix for Single Post**

| Armrest Size | Transfer Tube Length D | Receiver | CLASSIC PAD        |              |         |
|--------------|------------------------|----------|--------------------|--------------|---------|
|              |                        |          | H Range            | Pad Length L |         |
|              |                        |          |                    | Desk         | Full    |
| STD          | 8"                     | STD      | 10 3/4" to 15 3/4" | 10 1/4"      | 14"     |
|              |                        | LOW      | 8 3/4" to 13 3/4"  |              |         |
| LOW          | 5 1/4"                 | STD      | 9" to 13"          | 10 1/4"      | 14"     |
|              |                        | LOW      | 7 1/4" to 11 1/4"  |              |         |
| Armrest Size | Transfer Tube Length D | Receiver | CONTOUR PAD        |              |         |
|              |                        |          | H Range            | Pad Length L |         |
|              |                        |          |                    | Desk         | Full    |
| STD          | 8"                     | STD      | 10" to 15"         | 10 1/2"      | 14 1/4" |
|              |                        | LOW      | 8 1/4" to 12 1/2"  |              |         |
| LOW          | 5 1/4"                 | STD      | 8 1/2" to 12 1/2"  | 10 1/2"      | 14 1/4" |
|              |                        | LOW      | 6 3/4" to 10 3/4"  |              |         |



**10. FOOTRESTS - Please choose A) Hanger Mounted OR B) Extension Tube Mounted**

**A) Hanger Mounted Footrest (Footplates Mount to Hanger Tubing)**

**Hanger Type**

|                                 |                                |       |
|---------------------------------|--------------------------------|-------|
| <input type="checkbox"/> 187H89 | 70° Swing In / Out Front Mount | NC    |
| <input type="checkbox"/> 187H90 | 80° Swing In / Out Front Mount | NC    |
| <input type="checkbox"/> 187H91 | 90° Swing In / Out Front Mount | NC    |
| <input type="checkbox"/> 187H9  | 70° Hvy Dty Fnt Mount Lift-Off | \$192 |
| <input type="checkbox"/> 187H10 | 80° Hvy Dty Fnt Mount Lift-Off | \$192 |
| <input type="checkbox"/> 187H11 | 90° Hvy Dty Fnt Mount Lift-Off | \$192 |
| <input type="checkbox"/> 187H23 | 90° Elevating                  | \$311 |

**Extensions (may interfere with some seat heights & casters)**

|                                 |                  |       |
|---------------------------------|------------------|-------|
| <input type="checkbox"/> 187E23 | 2" (not mounted) | \$50  |
| <input type="checkbox"/> 187E24 | 4" (not mounted) | \$111 |

**Footplate**

|                                 |   |    |
|---------------------------------|---|----|
| <input type="checkbox"/> 187F9  | Kids Angle Adjustable w/ Leg Strap<br>(N/A w/ 17" - 18" widths)     | NC |
| <input type="checkbox"/> 187F8  | Adult Angle Adj. w/ Heel Loops<br>(Available with 10" - 18" widths) | NC |
| <input type="checkbox"/> 187F62 | Footboard w/ Leg Strap )<br>(Available with 10" - 16" widths)       | NC |

**B) Ext. Tube Mounted Footrests (Footplates Mount to Ext. Tube)**

**Hanger Type**

|                                  |   |       |
|----------------------------------|---|-------|
| <input type="checkbox"/> 187H85  | 60° Swing In / Out                                      | NC    |
| <input type="checkbox"/> 187H86  | 70° Swing In / Out                                      | STD   |
| <input type="checkbox"/> 187H116 | 80° Swing In / Out                                      | STD   |
| <input type="checkbox"/> 187H24  | Articulating<br>(N/A w/ 10" - 13" composite footplates) | \$463 |
| <input type="checkbox"/> 187H14  | Elevating<br>(N/A w/ composite or platform footplates)  | \$311 |

**Extensions**

|                                 |                                 |       |
|---------------------------------|---------------------------------|-------|
| <input type="checkbox"/> 187E1  | Short (11.5" - 14")             | NC    |
| <input type="checkbox"/> 187E2  | Med (14" - 17")<br>(N/A w/ ELR) | NC    |
| <input type="checkbox"/> 187E5  | Long (17" - 19")                | NC    |
| <input type="checkbox"/> 187E16 | High Mount                      | \$111 |

**Footplate**

|                                 |  |       |
|---------------------------------|--|-------|
| <input type="checkbox"/> 187F1  | Composite w/ Heel Loops<br>(N/A in 10", 11" or 12" width)                            | STD   |
| <input type="checkbox"/> 187F3  | Adult Angle Adjustable w/ Heel Loops   | \$120 |
| <input type="checkbox"/> 187F4  | Kids Angle Adjustable w/ Leg Strap<br>(N/A w/ 17" - 18" width)                       | \$121 |
| <input type="checkbox"/> 187F5  | Aluminium<br>(Only available with elevating legrests 11"-18")                        | NC    |
| <input type="checkbox"/> 187F48 | Platform Flip-Up w/ Leg Strap<br>(Avail. on 60° / 70° / 80° ext. mount hangers only) | \$252 |

**FOOTREST HANGER OPTIONS**

|                                  |  |      |
|----------------------------------|--|------|
| <input type="checkbox"/> 187IG2  | Neoprene Covers<br>(Avail. on 60° / 70° / 80° ext. mount hangers only) | \$85 |
| <input type="checkbox"/> 187A54  | Extra Single Leg Strap   | \$30 |
| <input type="checkbox"/> 187A110 | Toe Loop<br>(Only avail. w/ adult angle adjust. footplates)            | \$40 |
| <input type="checkbox"/> 187H32  | Omit Hanger  | NC   |
| <input type="checkbox"/> 187F7   | Omit Footplate & Ext. Tube   | NC   |
| <input type="checkbox"/> 187HL4  | Omit Heel Loop   | NC   |
| <input type="checkbox"/> 187HL6  | Omit Single Leg Strap  | NC   |

| Rear Wheel Size | CASTER SIZE |        |        |        |        |        |
|-----------------|-------------|--------|--------|--------|--------|--------|
|                 | ○ 3         | ○ 4    | ○ 5    | ○ 6    | ○ 8    | ○ 8x2  |
| ○ 12            | ○ 17.0      | ○ 16.5 | ○ 16.5 | ○ 17.0 | N/A    | N/A    |
|                 | ○ 17.5      | ○ 17.0 | ○ 17.0 | ○ 17.5 |        |        |
|                 |             | ○ 17.5 | ○ 17.5 |        |        |        |
| ○ 12 Low Poly   | ○ 16.0      | ○ 16.0 | ○ 16.0 | ○ 16.5 | N/A    | N/A    |
|                 | ○ 16.5      | ○ 16.5 | ○ 16.5 |        |        |        |
| ○ 16            | ○ 15.5      | ○ 15.5 | ○ 15.5 | ○ 18.0 | ○ 18.0 | ○ 18.5 |
|                 | ○ 18.0      | ○ 18.0 | ○ 18.0 |        |        |        |
|                 | ○ 18.5      | ○ 18.5 | ○ 18.5 |        |        |        |
| ○ 18            | ○ 15.5      | ○ 15.5 | ○ 15.5 | ○ 16.5 | N/A    | N/A    |
|                 | ○ 16.0      | ○ 16.0 | ○ 16.0 |        |        |        |
|                 | ○ 16.5      | ○ 16.5 | ○ 16.5 |        |        |        |
|                 |             |        | ○ 17.0 |        |        |        |
| ○ 20            | ○ 15.5      | ○ 15.5 | ○ 15.5 | ○ 18.0 | ○ 18.0 | ○ 18.5 |
|                 | ○ 16.0      | ○ 16.0 | ○ 16.0 |        |        |        |
|                 | ○ 16.5      | ○ 16.5 | ○ 16.5 |        |        |        |
|                 | ○ 17.0      | ○ 17.0 | ○ 17.0 |        |        |        |
|                 | ○ 17.5      | ○ 17.5 | ○ 17.5 |        |        |        |
|                 | ○ 18.0      | ○ 18.0 | ○ 18.0 |        |        |        |
| ○ 22            |             | ○ 18.5 | ○ 18.5 | ○ 19.0 | ○ 19.0 | ○ 19.5 |
|                 | ○ 16.5      | ○ 16.5 | ○ 16.5 |        |        |        |
|                 | ○ 17.0      | ○ 17.0 | ○ 17.0 |        |        |        |
|                 | ○ 17.5      | ○ 17.5 | ○ 17.5 |        |        |        |
|                 | ○ 18.0      | ○ 18.0 | ○ 18.0 |        |        |        |
| ○ 24            | ○ 17.0      |        |        | ○ 20.0 | ○ 20.0 | ○ 20.0 |
|                 | ○ 17.5      | ○ 17.5 | ○ 17.5 |        |        |        |
|                 | ○ 18.0      | ○ 18.0 | ○ 18.0 |        |        |        |
|                 | ○ 18.5      | ○ 18.5 | ○ 18.5 |        |        |        |
|                 |             | ○ 19.0 | ○ 19.0 |        |        |        |
|                 |             | ○ 19.5 | ○ 19.5 |        |        |        |
|                 |             |        | ○ 20.0 |        |        |        |

**Chart A - Seat to Floor Height Matrix**  
 Shaded Caster Sizes are **NOT AVAILABLE** with foot actuated wheel lock.  
 Note: Rear seat-to-floor height may be up to 1.5" lower than front seat-to-floor ht.

## 11. CASTERS

| 11. CASTERS              |         |   |       |
|--------------------------|---------|---|-------|
| CASTER WHEEL             |         | CASTER OPTIONS  |       |
| <input type="checkbox"/> | 187CW30 | 3" Micro Light Up   | \$84  |
| <input type="checkbox"/> | 187CW31 | 4" Micro Light Up   | \$84  |
| <input type="checkbox"/> | 187CW51 | 5" Micro Light Up   | \$118 |
| <input type="checkbox"/> | 187CW5  | 5" Low-Profile Polyurethane   | STD   |
| <input type="checkbox"/> | 187CW7  | 5" x 1.5" Semi-Pneumatic  | \$118 |
| <input type="checkbox"/> | 187CW33 | 6" Pneumatic  | \$84  |
| <input type="checkbox"/> | 187CW34 | 6" Polyurethane   | NC    |
| <input type="checkbox"/> | 187CW35 | 6" x 1.5" Semi-Pneumatic  | \$118 |
| <input type="checkbox"/> | 187CW21 | 8" Pneumatic  | NC    |
| <input type="checkbox"/> | 187CW32 | 8" Polyurethane   | NC    |
| <input type="checkbox"/> | 187CW39 | 8" x 1.5" Semi-Pneumatic  | \$118 |
| <input type="checkbox"/> | 187CW36 | 8" x 2" Pneumatic   | \$162 |
| <input type="checkbox"/> | 187CW37 | 8" x 2" Pneumatic w/ Airless Insert                                 | \$252 |
| <input type="checkbox"/> | 187CS3  | Caster Pin Locks<br><i>(N/A with 8" x 2" and 8" x 1.5" casters)</i> | \$151 |

## 12. AXLES AND WHEELS

| 12. AXLES AND WHEELS     |         |   |         |
|--------------------------|---------|---|---------|
| AXLE PLATE               |         | REAR WHEEL SIZE   |         |
| <input type="checkbox"/> | 187AL18 | 12" Rear Wheel Axle Plate<br><i>(Only avail. w/ 12" or 16" rear wheels)</i>             | STD     |
| <input type="checkbox"/> | 187AL34 | Short Adjustable<br><i>(N/A with 12" rear wheels)</i>                                   | NC      |
| <input type="checkbox"/> | 187AL35 | Long Adjustable<br><i>(N/A with 12" rear wheels)</i>                                    | NC      |
| <input type="checkbox"/> | 187AL17 | One Arm Drive<br><i>(Avail. w/ 20", 22", 24" Mag Rear Wheels &amp; 13" - 18" width)</i> | \$1,336 |
| <input type="checkbox"/> | 187OA2  | <b>Standard Handrim</b>   | NC      |
| <input type="checkbox"/> | 187HM1  | Right   | NC      |
| <input type="checkbox"/> | 187HM2  | Left  | NC      |
| <input type="checkbox"/> | 187OA1  | <b>Small Handrim</b><br><i>(N/A w/ 20" wheels)</i>                                      | NC      |
| <input type="checkbox"/> | 187HM1  | Right   | NC      |
| <input type="checkbox"/> | 187HM2  | Left  | NC      |
| <input type="checkbox"/> | 187RW13 | 12" Mag<br><i>(N/A with handrims)</i>   | STD     |
| <input type="checkbox"/> | 187RW14 | 16" Mag<br><i>(N/A with handrims)</i>   | NC      |
| <input type="checkbox"/> | 187RW3  | 20" Mag   | NC      |
| <input type="checkbox"/> | 187RW8  | 22" Mag   | NC      |
| <input type="checkbox"/> | 187RW1  | 24" Mag   | NC      |
| <input type="checkbox"/> | 187RW12 | 18" Spoke   | NC      |
| <input type="checkbox"/> | 187RW90 | 20" Lite Spoke  | \$168   |
| <input type="checkbox"/> | 187RW91 | 22" Lite Spoke  | \$168   |
| <input type="checkbox"/> | 187RW92 | 24" Lite Spoke  | NC      |
| <b>REAR WHEEL TYRE</b>   |         |   |         |
| <input type="checkbox"/> | 187RT1  | Pneumatic   | NC      |
| <input type="checkbox"/> | 187RT2  | Pneumatic Airless Insert  | \$185   |
| <input type="checkbox"/> | 187RT3  | Full Polyurethane<br><i>(N/A w/ 12", 16" and 18" rear wheels)</i>                       | NC      |
| <input type="checkbox"/> | 187RT4  | Low Polyurethane<br><i>(Only available with 12" or 24" wheels)</i>                      | NC      |
| <input type="checkbox"/> | 187RT6  | High Pressure Clincher<br><i>(Only available with 24" spoke wheels)</i>                 | \$68    |
| <input type="checkbox"/> | 187RT8  | Kevlar<br><i>(Only available with 24" wheels)</i>                                       | \$81    |
| <b>AXLE</b>              |         |   |         |
| <input type="checkbox"/> | 187AX26 | One Arm Drive<br><i>(Only avail. w/ One Arm Drive Option)</i>                           | STD     |
| <input type="checkbox"/> | 187AX1  | Quick Release   | NC      |
| <input type="checkbox"/> | 187AX11 | Quad Quick Release<br><i>(N/A with Lite Spokes)</i>                                     | \$168   |

## 12. AXLES AND WHEELS - CONT.

| HANDRIM                               |                           |       |
|---------------------------------------|---------------------------|-------|
| <input type="checkbox"/>              | 187HR1 Aluminium Anodized | NC    |
| <input type="checkbox"/>              | 187HR4 Plastic Coated     | \$106 |
| <input type="checkbox"/>              | 187HR7 Omit               | -\$22 |
| <i>(N/A with wheel / axle credit)</i> |                           |       |

| PROJECTIONS (N/A ON PLASTIC COATED)                                 |                  |       |
|---|------------------|-------|
| <i>*Only available with 24" wheels &amp; N/A with spoke guards.</i> |                  |       |
| <input type="checkbox"/>  | 187HR8 8 Oblique | \$284 |

| HUB LOCK  |                      |       |
|---|----------------------|-------|
| <i>*Only available with 12" or 16" wheels.</i>  |                      |       |
| <i>N/A w/ Short Axle Plate.</i>   |                      |       |
| <i>N/A w/ Long Adj. Axle Plate w/ 13", 14" and 20" Frame Depth &amp; one arm drive.</i> |                      |       |
| <input type="checkbox"/>  | 187LK01 12" Hub Lock | \$150 |
| <input type="checkbox"/>  | 187LK02 16" Hub Lock | \$150 |

| WHEEL LOCK               |  |    |
|--------------------------|--|----|
| <i>N/A with Hub Lock</i> |  |    |
| <input type="checkbox"/> | 187WL1 High Mount Push                             | NC |
| <input type="checkbox"/> | 187WL2 High Mount Pull                             | NC |
| <input type="checkbox"/> | 187WL25 Foot Lock <i>(may limit folding width)</i> | NC |
| <input type="checkbox"/> | 187WL10 Omit                                       | NC |

| EXTENSION HANDLE         |                |      |
|--------------------------|----------------|------|
| <input type="checkbox"/> | 187EH1 6" Pair | \$60 |

| ANTI-TIP                           |                       |       |
|------------------------------------|-----------------------|-------|
| <input type="checkbox"/>           | 187A01 Front Anti-Tip | \$135 |
| <i>(N/A with caster pin locks)</i> |                       |       |
| <i>(N/A with transit option)</i>   |                       |       |
| <input type="checkbox"/>           | 187AT1 Rear Anti-Tip  | \$135 |

## 13. ACCESSORIES

| BACKPACK                 |   |      |
|--------------------------|---|------|
| <input type="checkbox"/> | 187A1 Black / Charcoal Adult Utility Backpack | \$62 |
| <input type="checkbox"/> | 187A2 Black / Charcoal Kids                   | \$56 |

| SEAT POUCH               |             |      |
|--------------------------|-------------|------|
| <input type="checkbox"/> | 187A8 Black | \$49 |

| MISCELLANEOUS            |                 |    |
|--------------------------|-----------------|----|
| <input type="checkbox"/> | 187A83 Tool Kit | NC |

| POSITIONING BELT         |  |       |
|--------------------------|--|-------|
| <input type="checkbox"/> | 187A112 1" Dual Pull Side Squeeze Padded | \$152 |
| <input type="checkbox"/> | 187A12 Belt 2" Aircraft Buckle           | \$154 |
| <input type="checkbox"/> | 187A13 Belt 2" Aircraft Buckle Padded    | \$129 |
| <input type="checkbox"/> | 187A141 Belt 1.5" Auto Buckle w/ Clamps  | \$67  |

| SPOKE GUARD   |              |       |
|---|--------------|-------|
| <i>N/A with 12", 16" &amp; 18" rear wheels &amp; Projections Handrims</i> |              |       |
| <input type="checkbox"/>  | 187A23 Black | \$120 |
| <input type="checkbox"/>  | 187A24 Clear | \$120 |

| UPPER EXTREMITY SUPPORT TRAY |   |       |
|------------------------------|---|-------|
| <input type="checkbox"/>     | 187A29 X-Sm (Suggested 10" - 12" Width) | \$246 |
| <input type="checkbox"/>     | 187A30 Sm (Suggested 13" - 14" Width)   | \$246 |
| <input type="checkbox"/>     | 187A31 Med (Suggested 15" - 17" Width)  | \$246 |
| <input type="checkbox"/>     | 187A32 Lge (Suggested 18" - 20" Width)  | \$246 |

| SIDE GUARD  |                     |       |
|---|---------------------|-------|
| <i>N/A with height adjustable armrests or T-Post armrests</i> |                     |       |
| <input type="checkbox"/>                                      | 187SG33 Plastic Std | \$148 |
| <input type="checkbox"/>                                      | 187SG29 Plastic Low | \$148 |

| SPECIALISED DEPARTMENT  |  |         |
|---|--|---------|
| <i>PLEASE NOTE: These are specialised items and will add 2 weeks to the delivery time</i> |  |         |
| ATTENDANT BRAKES  |  |         |
| <input type="checkbox"/>  | DBK12" Attendant brakes with 12" wheels (MAG ONLY)   | \$504   |
| <input type="checkbox"/>  | DBK16" Attendant brakes with 16" wheels (SPOKE ONLY) | \$504   |
| <input type="checkbox"/>  | DBK24" Attendant brakes with 24" wheels (SPOKE ONLY) | \$504   |
| DYNAMIC BACKREST OPTION   |  |         |
| <input type="checkbox"/>  | Yellow Elastomer 11kg required for deflection        | \$1,500 |
| <input type="checkbox"/>  | Blue Elastomer 18kg required for deflection          | \$1,500 |
| <input type="checkbox"/>  | Red Elastomer 23kg required for deflection           | \$1,500 |
| <b>NOT AVAILABLE WITH TRANSIT TIE DOWNS</b>   |  |         |

**TOTAL CHAIR PRICE: \$ \_\_\_\_\_**

