



ZIPPIE TS (Transit Included)

EIZ1A



Effective: July, 2011

ORDERING INFORMATION: Phone: (02) 8858 9191 • Fax: (02) 8858 9155 • Email: orders@sunrisemedical.com.au

ACCOUNT INFORMATION

Account No:	_____	Ship To:	_____
Date:	_____	Name:	_____
P.O. #:	_____	Address:	_____
Therapist:	_____	City / State:	_____
Customer Name:	_____	Postcode:	_____
		Phone:	_____

ZIPPIE TS (Transit Included)

1. FRAME STYLE

All Zippie TS models grow in width and depth.

- | | | | | | |
|----------------------------------|--|---------|----------------------------------|--|---------|
| <input type="checkbox"/> 187WM65 | Folding Growing Zippie TS
<i>(Includes True Fit Growth)</i> | \$3,528 | <input type="checkbox"/> 187WM66 | Rigid Growing Zippie TS
<i>(Includes True Fit Growth)</i> | \$3,304 |
|----------------------------------|--|---------|----------------------------------|--|---------|

2. TRANSIT SYSTEM

- | | | |
|----------------------------------|----------------|----|
| <input type="checkbox"/> 187TO12 | Transit System | NC |
|----------------------------------|----------------|----|

3. TILT OPTION

- | | | |
|----------------------------------|---|-----|
| <input type="checkbox"/> 187TT12 | Dual Trigger Cable Release | NC |
| <input type="checkbox"/> 187VZ01 | Criss Cross Cables
<i>(Cables are longer individually)</i> | NC |
| <input type="checkbox"/> 187VZ02 | Non Criss Cross | STD |
| <input type="checkbox"/> 187TT8 | Cable Foot Release
<i>(May limit folding width)</i> | NC |

4. FRAME COLOUR

STANDARD COLOURS

- | | | |
|----------------------------------|-------------------------------------|----|
| <input type="checkbox"/> 184C2 | Black <i>(N/A as base w/ Zebra)</i> | NC |
| <input type="checkbox"/> 184C10 | Black Opal | NC |
| <input type="checkbox"/> 184C38 | Blue Opal | NC |
| <input type="checkbox"/> 184C36 | Candy Blue | NC |
| <input type="checkbox"/> 184C35 | Candy Red | NC |
| <input type="checkbox"/> 184C128 | Copper | NC |
| <input type="checkbox"/> 184C6 | Forest Green | NC |
| <input type="checkbox"/> 184C127 | Fuchsia | NC |
| <input type="checkbox"/> 184C126 | Glow | NC |
| <input type="checkbox"/> 184C4 | Midnight Purple | NC |
| <input type="checkbox"/> 184C5 | Pearl Pink | NC |
| <input type="checkbox"/> 184C103 | Rootbeer | NC |
| <input type="checkbox"/> 184C114 | Sparkle Silver | NC |
| <input type="checkbox"/> 184C114 | Toxic Green | NC |
| <input type="checkbox"/> 184C8 | Yellow | NC |
| <input type="checkbox"/> 184C113 | Titanium Paint colour | NC |

CUSTOM COLOURS

- | | | |
|----------------------------------|----------------------|-------|
| <input type="checkbox"/> 187C43 | Mossy Oak Camouflage | \$353 |
| <input type="checkbox"/> 187C42 | Stars and Stripes | \$353 |
| <input type="checkbox"/> 187C108 | Zebra | \$353 |

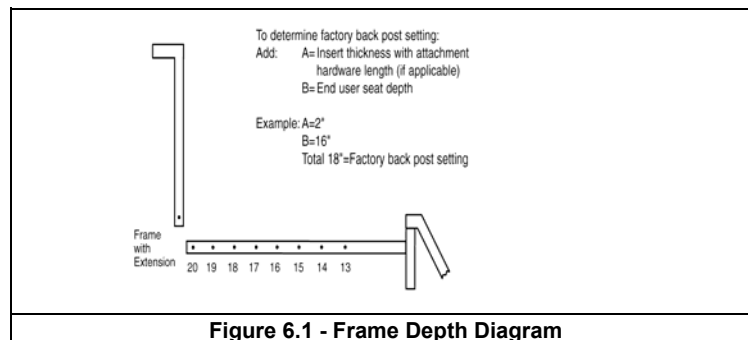
(Choose base colour above - Not avail. in black. Std white base if no colour is chosen)

5. FRAME WIDTH

<input type="checkbox"/> 187W25	Small Cross Brace	NC	<input type="checkbox"/> 187W27	Large Cross Brace	NC
<input type="checkbox"/> 187S1	10"	NC	<input type="checkbox"/> 187S5	14"	NC
<input type="checkbox"/> 187S2	11"	NC	<input type="checkbox"/> 187S6	15"	NC
<input type="checkbox"/> 187S3	12"	NC	<input type="checkbox"/> 187S7	16"	NC
<input type="checkbox"/> 187W26	Medium Cross Brace	NC	<input type="checkbox"/> 187W28	X-Large Cross Brace	NC
<input type="checkbox"/> 187S3	12"	NC	<input type="checkbox"/> 187S7	16"	NC
<input type="checkbox"/> 187S4	13"	NC	<input type="checkbox"/> 187S8	17"	NC
<input type="checkbox"/> 187S5	14"	NC	<input type="checkbox"/> 187S9	18"	NC

6. FRAME DEPTH AND BACK POST LOCATION

<input type="checkbox"/> 187FD4	13" Frame Depth	NC
<input type="checkbox"/> 187FD5	14" Frame Depth	NC
<input type="checkbox"/> 187FD6	15" Frame Depth	NC
<input type="checkbox"/> 187FD7	16" Frame Depth	NC
<input type="checkbox"/> 187FD8	17" Frame Depth	NC
<input type="checkbox"/> 187FD9	18" Frame Depth	NC
<input type="checkbox"/> 187FD10	19" Frame Depth <i>(Uses rear frame extension plug)</i>	NC
<input type="checkbox"/> 187FD11	20" Frame Depth <i>(Uses rear frame extension plug)</i>	NC



7. SEATING

SEATS

<input type="checkbox"/> 187ST16	Solid Seat (Req. Solid Back) <i>(N/A w/ 10"-13" W x 19"-20" Frame Depth OR 17"-18" W x 13"-17" Frame Depth)</i>	\$168
<input type="checkbox"/> 187ST14	Growing Seat Pan Depth (Fig. 7.1)	\$252
<input type="checkbox"/> 187ST28	For use w/ Conv. Seat <i>(Seating not incl. Attach Seating OF)</i>	See OF
<input type="checkbox"/> 187ST29	For use w/ Jay Fit Seat <i>(Seating not incl. Attach Seating OF)</i>	See OF
<input type="checkbox"/> 187ST5	Omit Seat	STD

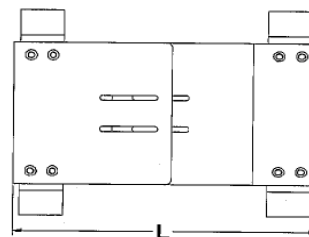
BACKS

(Solid Back Depth = 2" Less Than Frame Depth)

<input type="checkbox"/> 187BT37	Short Solid Back 12" <i>(Requires solid seat)</i>	\$168
<input type="checkbox"/> 187BT38	Med. Solid Back 14"	\$168
<input type="checkbox"/> 187BT39	Tall Solid Back 16"	\$168
<input type="checkbox"/> 187BT40	For use w/ Conv. Back <i>(Seating not incl. Attach Seating OF)</i>	See OF
<input type="checkbox"/> 187BT41	For use w/ Jay Fit Back <i>(Seating not incl. Attach Seating OF)</i>	See OF
<input type="checkbox"/> 187BT13	Omit Backrest	NC

REFERENCE ONLY

Seat Depth Pan Size	Depth Range	
	Minimum	Maximum
Long 15"-17"	13 3/4"	18 1/4"
X-Long 18"-20"	15 3/4"	20 1/4"



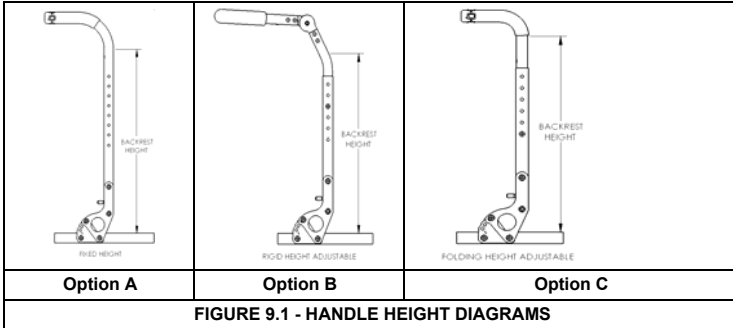
Depth

Figure 7.1 - Frame Depth Growth Range Matrix

8. STROLLER HANDLE BACK POSTS - BACK RESTS (Please choose A, B or C option)

A) FIXED HEIGHT		
<input type="checkbox"/>	187BP9	Low (19" Height) - Standard NC
<input type="checkbox"/>	187BP10	Medium (22" Height) NC
<input type="checkbox"/>	187BP11	Tall (25" Height) NC
<input type="checkbox"/>	187BP13	Removable Extension \$143
<input type="checkbox"/>	187RG1	Folding Adjustable Rigidizer \$295

B) HEIGHT ADJUSTABLE		
<i>Rigid Frame w/ Angle Adjust Push Handle</i>		
<input type="checkbox"/>	087B202	Std (16" - 22" Height) NC
<input type="checkbox"/>	087PH8	Std Angle Adj. Push Handle Length NC
<input type="checkbox"/>	087PH9	Long Angle Adj. Push Handle Length NC
<input type="checkbox"/>	087B203	Tall (19" - 25" Height) NC
<input type="checkbox"/>	087PH8	Std Angle Adj. Push Handle Length NC
<input type="checkbox"/>	087PH9	Long Angle Adj. Push Handle Length NC



C) FOLDING FRAME WITH PUSH HANDLE		
<input type="checkbox"/>	187B204	Std (17" - 23" Height) NC
<input type="checkbox"/>	187BP15	Swing Away Handle \$55 <i>(N/A with dual triggers)</i>
<input type="checkbox"/>	187B205	Tall (20" - 26" Height) NC
<input type="checkbox"/>	187BP15	Swing Away Handle \$55 <i>(N/A with dual triggers)</i>

9. ARMRESTS

ARMREST & ARMPAD		
<input type="checkbox"/>	187AA12	T-Post Regular w/ Foam NC
<input type="checkbox"/>	187AA13	T-Post Tall w/ Foam NC
<input type="checkbox"/>	087AA3	Flip-Up NC
		<input type="checkbox"/> 10" - 13"
		<input type="checkbox"/> 14" - 16"
<input type="checkbox"/>	187AA1	Adjustable Locking Flip-Up \$250
<input type="checkbox"/>	187AA7	Length Adjustable Locking Flip-Up \$260

ARMREST - HEIGHT ADJUSTABLE		
<i>Please refer to the matrix below.</i>		
<input type="checkbox"/>	187AA11	Single-Post Height Adj. - Std \$250
<input type="checkbox"/>	187AM23	Desk Classic NC
<input type="checkbox"/>	187AM21	Desk Contour NC
<input type="checkbox"/>	187AM24	Full Classic NC
<input type="checkbox"/>	187AM22	Full Contour NC
<input type="checkbox"/>	187AA29	Single-Post Height Adj. - Low \$250
<input type="checkbox"/>	187AM23	Desk Classic NC
<input type="checkbox"/>	187AM21	Desk Contour NC
<input type="checkbox"/>	187AM24	Full Classic NC
<input type="checkbox"/>	187AM22	Full Contour NC

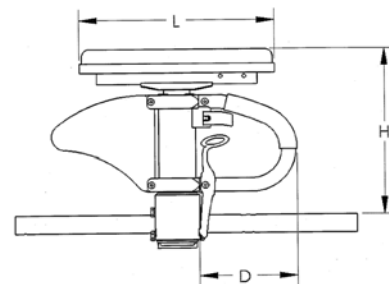
ARMPAD SELECTION FOR THE ABOVE		
<input type="checkbox"/>	187AM23	Desk Length (10") NC
<input type="checkbox"/>	187AM24	Full Length (14") NC
<input type="checkbox"/>	187AM9	Foam Short NC <i>(N/A w/ T Post)</i>
<input type="checkbox"/>	187AM11	Foam Long NC <i>(N/A w/ T Post)</i>

ARMREST RECEIVER FOR HEIGHT ADJUSTABLE ARMREST		
<i>Please refer to the matrix below.</i>		
<input type="checkbox"/>	187AR17	Low (N/A w/ Lite Spokes) NC
<input type="checkbox"/>	187AR18	Std NC

Armrest Matrix for Single Post

Armrest Size	Transfer Tube Length D	Receiver	CLASSIC PAD		
			H Range	Pad Length L	
				Desk	Full
STD	8"	STD	10 3/4" to 15 3/4"	10 1/4"	14"
		LOW	8 3/4" to 13 3/4"		
LOW	5 1/4"	STD	9" to 13"	10 1/4"	14"
		LOW	7 1/4" to 11 1/4"		

Armrest Size	Transfer Tube Length D	Receiver	CONTOUR PAD		
			H Range	Pad Length L	
				Desk	Full
STD	8"	STD	10" to 15"	10 1/2"	14 1/4"
		LOW	8 1/4" to 12 1/2"		
LOW	5 1/4"	STD	8 1/2" to 12 1/2"	10 1/2"	14 1/4"
		LOW	6 3/4" to 10 3/4"		



Armrest Matrix for Single Post

10. FOOTRESTS - Please choose A) Hanger Mounted OR B) Extension Tube Mounted

A) Hanger Mounted Footrest (Footplates Mount to Hanger Tubing)		
Hanger Type		
<input type="checkbox"/> 187H89	70° Swing In / Out Front Mount	NC
<input type="checkbox"/> 187H90	80° Swing In / Out Front Mount	NC
<input type="checkbox"/> 187H91	90° Swing In / Out Front Mount	NC
<input type="checkbox"/> 187H9	70° Hvy Dty Fnt Mount Lift-Off	\$192
<input type="checkbox"/> 187H10	80° Hvy Dty Fnt Mount Lift-Off	\$192
<input type="checkbox"/> 187H11	90° Hvy Dty Fnt Mount Lift-Off	\$192
<input type="checkbox"/> 187H23	90° Elevating	\$311

Extensions (may interfere with some seat heights & casters)

<input type="checkbox"/> 187E23	2" (not mounted)	\$50
<input type="checkbox"/> 187E24	4" (not mounted)	\$111

Footplate

<input type="checkbox"/> 187F9	Kids Angle Adjustable w/ Leg Strap <i>(N/A w/ 17" - 18" widths)</i>	NC
<input type="checkbox"/> 187F8	Adult Angle Adj. w/ Heel Loops <i>(Available with 10" - 18" widths)</i>	NC
<input type="checkbox"/> 187F62	Footboard w/ Leg Strap) <i>(Available with 10" - 16" widths)</i>	NC

B) Ext. Tube Mounted Footrests (Footplates Mount to Ext. Tube)

Hanger Type

<input type="checkbox"/> 187H85	60° Swing In / Out	NC
<input type="checkbox"/> 187H86	70° Swing In / Out	STD
<input type="checkbox"/> 187H116	80° Swing In / Out	STD
<input type="checkbox"/> 187H24	Articulating <i>(N/A w/ 10" - 13" composite footplates)</i>	\$463
<input type="checkbox"/> 187H14	Elevating <i>(N/A w/ composite or platform footplates)</i>	\$311

Extensions

<input type="checkbox"/> 187E1	Short (11.5" - 14")	NC
<input type="checkbox"/> 187E2	Med (14" - 17") <i>(N/A w/ ELR)</i>	NC
<input type="checkbox"/> 187E5	Long (17" - 19")	NC
<input type="checkbox"/> 187E16	High Mount	\$111

Footplate

<input type="checkbox"/> 187F1	Composite w/ Heel Loops <i>(N/A in 10", 11" or 12" width)</i>	STD
<input type="checkbox"/> 187F3	Adult Angle Adjustable w/ Heel Loops	\$120
<input type="checkbox"/> 187F4	Kids Angle Adjustable w/ Leg Strap <i>(N/A w/ 17" - 18" width)</i>	\$121
<input type="checkbox"/> 187F5	Aluminium <i>(Only available with elevating legrests 11"-18")</i>	NC
<input type="checkbox"/> 187F48	Platform Flip-Up w/ Leg Strap <i>(Avail. on 60° / 70° / 80° ext. mount hangers only)</i>	\$252

FOOTREST HANGER OPTIONS

<input type="checkbox"/> 187IG2	Neoprene Covers <i>(Avail. on 60° / 70° / 80° ext. mount hangers only)</i>	\$85
<input type="checkbox"/> 187A54	Extra Single Leg Strap	\$30
<input type="checkbox"/> 187A110	Toe Loop <i>(Only avail. w/ adult angle adjust. footplates)</i>	\$40
<input type="checkbox"/> 187H32	Omit Hanger	NC
<input type="checkbox"/> 187F7	Omit Footplate & Ext. Tube	NC
<input type="checkbox"/> 187HL4	Omit Heel Loop	NC
<input type="checkbox"/> 187HL6	Omit Single Leg Strap	NC

Rear Wheel Size	CASTER SIZE					
	○ 3	○ 4	○ 5	○ 6	○ 8	○ 8x2
○ 12	○ 17.0	○ 16.5	○ 16.5	○ 17.0	N/A	N/A
	○ 17.5	○ 17.0	○ 17.0	○ 17.5		
		○ 17.5	○ 17.5			
○ 12 Low Poly	○ 16.0	○ 16.0	○ 16.0	○ 16.5	N/A	N/A
	○ 16.5	○ 16.5	○ 16.5			
○ 16	○ 15.5	○ 15.5	○ 15.5	○ 18.0	○ 18.0	○ 18.5
	○ 18.0	○ 18.0	○ 18.0			
	○ 18.5	○ 18.5	○ 18.5			
○ 18	○ 15.5	○ 15.5	○ 15.5	○ 16.5	N/A	N/A
	○ 16.0	○ 16.0	○ 16.0			
	○ 16.5	○ 16.5	○ 16.5			
			○ 17.0			
○ 20	○ 15.5	○ 15.5	○ 15.5	○ 18.0	○ 18.0	○ 18.5
	○ 16.0	○ 16.0	○ 16.0			
	○ 16.5	○ 16.5	○ 16.5			
	○ 17.0	○ 17.0	○ 17.0			
	○ 17.5	○ 17.5	○ 17.5			
	○ 18.0	○ 18.0	○ 18.0			
○ 22	○ 16.5	○ 16.5	○ 16.5	○ 16.5	○ 18.0	○ 18.5
	○ 17.0	○ 17.0	○ 17.0	○ 17.0		
	○ 17.5	○ 17.5	○ 17.5	○ 17.5		
	○ 18.0	○ 18.0	○ 18.0	○ 18.0		
	○ 18.5	○ 18.5	○ 18.5	○ 18.5		
○ 24	○ 17.0				○ 18.0	○ 18.5
	○ 17.5	○ 17.5	○ 17.5	○ 17.5		
	○ 18.0	○ 18.0	○ 18.0	○ 18.0		
	○ 18.5	○ 18.5	○ 18.5	○ 18.5		
		○ 19.0	○ 19.0	○ 19.0		
			○ 19.5	○ 19.5		
				○ 20.0		

Chart A - Seat to Floor Height Matrix
 Shaded Caster Sizes are **NOT AVAILABLE** with foot actuated wheel lock.
 Note: Rear seat-to-floor height may be up to 1.5" lower than front seat-to-floor ht.

11. CASTERS

CASTER WHEEL		
<input type="checkbox"/>	187CW30	3" Micro Light Up \$84
<input type="checkbox"/>	187CW31	4" Micro Light Up \$84
<input type="checkbox"/>	187CW51	5" Micro Light Up \$118
<input type="checkbox"/>	187CW5	5" Low-Profile Polyurethane STD
<input type="checkbox"/>	187CW7	5" x 1.5" Semi-Pneumatic \$118
<input type="checkbox"/>	187CW33	6" Pneumatic \$84
<input type="checkbox"/>	187CW34	6" Polyurethane NC
<input type="checkbox"/>	187CW35	6" x 1.5" Semi-Pneumatic \$118
<input type="checkbox"/>	187CW21	8" Pneumatic NC
<input type="checkbox"/>	187CW32	8" Polyurethane NC
<input type="checkbox"/>	187CW39	8" x 1.5" Semi-Pneumatic \$118
<input type="checkbox"/>	187CW36	8" x 2" Pneumatic \$162
<input type="checkbox"/>	187CW37	8" x 2" Pneumatic w/ Airless Insert \$252

CASTER OPTIONS		
<input type="checkbox"/>	187CS3	Caster Pin Locks \$151 <i>(N/A with 8" x 2" and 8" x 1.5" casters)</i>

12. AXLES AND WHEELS

AXLE PLATE		
<input type="checkbox"/>	187AL18	12" Rear Wheel Axle Plate STD <i>(Only avail. w/ 12" or 16" rear wheels)</i>
<input type="checkbox"/>	187AL34	Short Adjustable NC <i>(N/A with 12" rear wheels)</i>
<input type="checkbox"/>	187AL35	Long Adjustable NC <i>(N/A with 12" rear wheels)</i>
<input type="checkbox"/>	187AL17	One Arm Drive \$1,336 <i>(Avail. w/ 20", 22", 24" Mag Rear Wheels & 13" - 18" width)</i>
<input type="checkbox"/>	187OA2	Standard Handrim NC
<input type="checkbox"/>	187HM1	Right NC
<input type="checkbox"/>	187HM2	Left NC
<input type="checkbox"/>	187OA1	Small Handrim NC <i>(N/A w/ 20" wheels)</i>
<input type="checkbox"/>	187HM1	Right NC
<input type="checkbox"/>	187HM2	Left NC

REAR WHEEL SIZE		
<input type="checkbox"/>	187RW13	12" Mag STD <i>(N/A with handrims)</i>
<input type="checkbox"/>	187RW14	16" Mag NC <i>(N/A with handrims)</i>
<input type="checkbox"/>	187RW3	20" Mag NC
<input type="checkbox"/>	187RW8	22" Mag NC
<input type="checkbox"/>	187RW1	24" Mag NC
<input type="checkbox"/>	187RW12	18" Spoke NC
<input type="checkbox"/>	187RW90	20" Lite Spoke \$168
<input type="checkbox"/>	187RW91	22" Lite Spoke \$168
<input type="checkbox"/>	187RW92	24" Lite Spoke NC

AXLE		
<input type="checkbox"/>	187AX26	One Arm Drive STD <i>(Only avail. w/ One Arm Drive Option)</i>
<input type="checkbox"/>	187AX1	Quick Release NC
<input type="checkbox"/>	187AX11	Quad Quick Release \$168 <i>(N/A with Lite Spokes)</i>

REAR WHEEL TYRE		
<input type="checkbox"/>	187RT1	Pneumatic NC
<input type="checkbox"/>	187RT2	Pneumatic Airless Insert \$185
<input type="checkbox"/>	187RT3	Full Polyurethane NC <i>(N/A w/ 12", 16" and 18" rear wheels)</i>
<input type="checkbox"/>	187RT4	Low Polyurethane NC <i>(Only available with 12" or 24" wheels)</i>
<input type="checkbox"/>	187RT6	High Pressure Clincher \$68 <i>(Only available with 24" spoke wheels)</i>
<input type="checkbox"/>	187RT8	Kevlar \$81 <i>(Only available with 24" wheels)</i>

12. AXLES AND WHEELS - CONT.

HANDRIM		
<input type="checkbox"/>	187HR1 Aluminium Anodized	NC
<input type="checkbox"/>	187HR4 Plastic Coated	\$106
<input type="checkbox"/>	187HR7 Omit	-\$22
	<i>(N/A with wheel / axle credit)</i>	

PROJECTIONS (N/A ON PLASTIC COATED)		
<i>*Only available with 24" wheels & N/A with spoke guards.</i>		
<input type="checkbox"/>	187HR8 8 Oblique	\$284

HUB LOCK		
<i>*Only available with 12" or 16" wheels.</i>		
<i>N/A w/ Short Axle Plate.</i>		
<i>N/A w/ Long Adj. Axle Plate w/ 13", 14" and 20" Frame Depth & one arm drive.</i>		
<input type="checkbox"/>	187LK01 12" Hub Lock	\$150
<input type="checkbox"/>	187LK02 16" Hub Lock	\$150

WHEEL LOCK		
<i>N/A with Hub Lock</i>		
<input type="checkbox"/>	187WL1 High Mount Push	NC
<input type="checkbox"/>	187WL2 High Mount Pull	NC
<input type="checkbox"/>	187WL25 Foot Lock <i>(may limit folding width)</i>	NC
<input type="checkbox"/>	187WL10 Omit	NC

EXTENSION HANDLE		
<input type="checkbox"/>	187EH1 6" Pair	\$60

ANTI-TIP		
<input type="checkbox"/>	187AO1 Front Anti-Tip	\$135
	<i>(N/A with caster pin locks)</i>	
	<i>(N/A with transit option)</i>	
<input type="checkbox"/>	187AT1 Rear Anti-Tip	\$135

13. ACCESSORIES

BACKPACK		
<input type="checkbox"/>	187A1 Black / Charcoal Adult Utility Backpack	\$62
<input type="checkbox"/>	187A2 Black / Charcoal Kids	\$56

SEAT POUCH		
<input type="checkbox"/>	187A8 Black	\$49

MISCELLANEOUS		
<input type="checkbox"/>	187A83 Tool Kit	NC

POSITIONING BELT		
<input type="checkbox"/>	187A112 1" Dual Pull Side Squeeze Padded	\$152
<input type="checkbox"/>	187A12 Belt 2" Aircraft Buckle	\$154
<input type="checkbox"/>	187A13 Belt 2" Aircraft Buckle Padded	\$129
<input type="checkbox"/>	187A141 Belt 1.5" Auto Buckle w/ Clamps	\$67

SPOKE GUARD		
<i>N/A with 12", 16" & 18" rear wheels & Projections Handrims</i>		
<input type="checkbox"/>	187A23 Black	\$120
<input type="checkbox"/>	187A24 Clear	\$120

UPPER EXTREMITY SUPPORT TRAY		
<input type="checkbox"/>	187A29 X-Sm (Suggested 10" - 12" Width)	\$246
<input type="checkbox"/>	187A30 Sm (Suggested 13" - 14" Width)	\$246
<input type="checkbox"/>	187A31 Med (Suggested 15" - 17" Width)	\$246
<input type="checkbox"/>	187A32 Lge (Suggested 18" - 20" Width)	\$246

SIDE GUARD		
<i>N/A with height adjustable armrests or T-Post armrests</i>		
<input type="checkbox"/>	187SG33 Plastic Std	\$148
<input type="checkbox"/>	187SG29 Plastic Low	\$148

SPECIALIZED DEPARTMENT		
<i>PLEASE NOTE: These are specialized items and will add 2 weeks to the delivery time</i>		
<input type="checkbox"/>	Yellow Elastomer 11 kg required for deflection	\$1,500
<input type="checkbox"/>	Blue Elastomer 18kg required for deflection	\$1,500
<input type="checkbox"/>	Red Elastomer 23kg required for deflection	\$1,500
NOT AVAILABLE WITH TRANSIT TIE DOWNS		

TOTAL CHAIR PRICE: \$ _____

