

**ORDERING INFORMATION: Phone: (02) 8858 9191 • Fax: (02) 8858 9155 • Email: orders@sunrisemedical.com.au**

**ACCOUNT INFORMATION**

<b>Account No:</b> _____	<b>Ship To:</b> _____
<b>Date:</b> _____	<b>Name:</b> _____
<b>P.O. #:</b> _____	<b>Address:</b> _____
<b>Therapist:</b> _____	<b>City / State:</b> _____
<b>Customer Name:</b> _____	<b>Postcode:</b> _____ <b>Phone:</b> _____

**BASE MODEL 120kgs Weight Capacity**

<input type="checkbox"/> 184WM58 Quickie 2 \$2,234
<input type="checkbox"/> * 5 year True Fit Growth Kit STD

**TRANSIT OPTION**

<input type="checkbox"/> 184TO1 Transit System \$392
<i>(N/A with Xtender)</i>
<i>(N/A w/ padded S/A Arms or stroller handles)</i>

**XTENDER POWER ASSIST**

*Rear axle position only available at 18.5" seat height*  
*Front seat height must be greater than rear and N/A w/ Rounded frame*  
*N/A with 3/4" & 1.5" caster stems*

<input type="checkbox"/> 184XT1 Xtender Power Assist with Pneumatic \$7,386
<i>(You must choose one of the following handrim torque options:-)</i>
<input type="checkbox"/> 184XH1 3 x Torque Multiplier- Plastic Coated NC
<input type="checkbox"/> 184XH2 1.5x Torque Multiplier- Stainless Steel NC

**XTENDER POWER ASSIST WHEELS**

<input type="checkbox"/> 184XA2 SPARE 24" Spoke Pneu Alum NC
<input type="checkbox"/> 184XA4 SPARE 24" Spoke Plastic Coated \$168

**XTENDER POWER ASSIST ACCESSORIES**

<input type="checkbox"/> 184XA1 Xtndr Spare Nimh Power Pack \$980
---

**REAR FRAME TYPE (113kg Weight Capacity)**

<input type="checkbox"/> 184RS1 Rear Side Frame Straight NC
<input type="checkbox"/> 184RS2 Rear Side Frame Rounded NC
<input type="checkbox"/> 184RS3 Depth Adjustable Back (DAB) \$228
<i>(N/A with swing-away, flip-back armrests, or Xtender)</i>
<i>(Backrest set 2" rear of seat tube w/ 1" adjustable forward)</i>

**HEAVY DUTY PACKAGE (160kgs weight capacity)**

<input type="checkbox"/> 184HV1 Heavy Duty (18" - 22" weight only) \$1,114
<i>(N/A with Xtender or Small Frame Length)</i>
<i>(Includes Reinforced Back Upholstery &amp; Stabilizer Bar)</i>
<i>(Adjustable Back Upholstery N/A with Heavy Duty Package)</i>

**FRAME WIDTH**

<input type="checkbox"/> 184W3 12" NC
<input type="checkbox"/> 184W4 13" NC
<input type="checkbox"/> 184W5 14" NC
<input type="checkbox"/> 184W6 15" NC
<input type="checkbox"/> 184W7 16" NC
<input type="checkbox"/> 184W8 17" NC
<input type="checkbox"/> 184W9 18" NC
<input type="checkbox"/> 184W8 17" NC
<input type="checkbox"/> 184W9 18" NC
<input type="checkbox"/> 184W10 19" NC
<input type="checkbox"/> 184W11 20" \$168
<input type="checkbox"/> 184W12 21" (Only Avail. With Heavy Duty) \$168
<input type="checkbox"/> 184W13 22" (Only Avail. With Heavy Duty) \$168

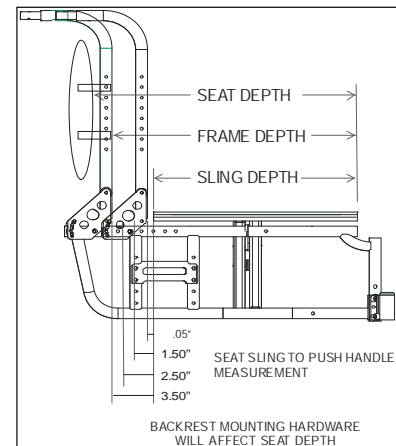


**FIGURE 1 - Quickie 2 with optional Jay Lite cushion shown**

**SEAT DEPTH**

<input type="checkbox"/> 184SD5 12" NC
<input type="checkbox"/> 184SD6 13" NC
<input type="checkbox"/> 184SD7 14" NC
<input type="checkbox"/> 184SD8 15" NC
<input type="checkbox"/> 184SD9 16" NC
<input type="checkbox"/> 184SD10 17" NC
<input type="checkbox"/> 184SD11 18" NC
<input type="checkbox"/> 184SD12 19" \$84
<input type="checkbox"/> 184SD13 20" \$168

**FIGURE 2 - DEPTH ADJUSTABLE BACK FRAME TYPE**



**FRAME LENGTH**

Hemi Frames Lengths N/A with Xtender Power Assist. Hemi Hangers Only.

<input type="checkbox"/>	001FL1	Small (12" - 14")	NC
<input type="checkbox"/>	001FL9	Regular (13" - 16")	NC
<input type="checkbox"/>	001FL18	Long (15" - 18")	NC
<input type="checkbox"/>	001FL25	X-Long (17" - 20") Steel Reinforced	NC
<input type="checkbox"/>	001FL17	Hemi (13" - 16")	NC
<input type="checkbox"/>	001FL24	Long Hemi (15" - 18")	NC
<input type="checkbox"/>	001FL29	X-Long Hemi (17" - 20") Steel Reinforced	NC

**FRONT SEAT HEIGHT**

Please refer to Figure 7 on (Page 8) - Front Seat To Floor Height Matrix for Available Heights.

<input type="checkbox"/>	163SH14	14.5" Hemi only	NC
<input type="checkbox"/>	163SH15	15" Hemi only	NC
<input type="checkbox"/>	163SH16	15.5" Hemi only	NC
<input type="checkbox"/>	163SH17	16" Hemi only	NC
<input type="checkbox"/>	163SH15	16.5" N/A with casters > 5"	NC
<input type="checkbox"/>	163SH16	17"	NC
<input type="checkbox"/>	163SH17	17.5"	NC
<input type="checkbox"/>	163SH18	18"	NC
<input type="checkbox"/>	163SH20	18.5"	NC
<input type="checkbox"/>	163SH21	19"	NC
<input type="checkbox"/>	163SH23	19.5"	NC
<input type="checkbox"/>	163SH24	20"	NC
<input type="checkbox"/>	163SH26	20.5"	NC
<input type="checkbox"/>	163SH27	21"	NC
<input type="checkbox"/>	163SH27	21.5" Hemi N/A	NC
<input type="checkbox"/>	163SH27	22" Hemi N/A	NC

**CASTER WHEEL**

All 8" casters N/A with 90° Hangers, ELRs and Small Frame

<input type="checkbox"/>	184CW1	3" Micro	NC
<input type="checkbox"/>	184CW1	4" Low Profile Polyurethane (N/A in heavy duty package)	NC
<input type="checkbox"/>	184CT30	4" Micro Lighted	\$84
<input type="checkbox"/>	184CW72	4" x 1" Aluminium Polyurethane	\$84
<input type="checkbox"/>	184CW47	4" x 1.25" Semi Pneumatic	\$84
<input type="checkbox"/>	184CW67	4" x 1.5" Aluminium Soft Roll	\$84
<input type="checkbox"/>	184CW51	5" Low Profile Polyurethane	STD
<input type="checkbox"/>	184CW35	5" Micro Lighted	\$118
<input type="checkbox"/>	184CW65	5" x 1" Aluminium Polyurethane	\$118
<input type="checkbox"/>	184CW7	5" x 1.5" Semi-Pneumatic	\$118
<input type="checkbox"/>	184CW67	5" Soft Roll (Grey) (N/A with Frog Legs)	\$118
<input type="checkbox"/>	184CW66	5" x 1.5" Aluminium Soft Roll	\$118
<input type="checkbox"/>	184CW34	6" Polyurethane	NC
<input type="checkbox"/>	184CW35	6" Pneumatic	\$118
<input type="checkbox"/>	184CW35	6" x 1.5" Semi Pneumatic	\$118
<input type="checkbox"/>	184CW68	6" x 1.5" Aluminium Soft Roll	\$118
<input type="checkbox"/>	184CW16	7" Polyurethane	NC
<input type="checkbox"/>	184CT32	8" Polyurethane	NC
<input type="checkbox"/>	184CT21	8" Pneumatic	\$118
<input type="checkbox"/>	184CT32	8" x 1.5" Semi Pneumatic	\$118
<input type="checkbox"/>	184CT36	8" x 2" Pneumatic <sup>1</sup>	\$162
<input type="checkbox"/>	184CT37	8" x 2" Pneumatic w/ Airless Insert <sup>1</sup>	\$252

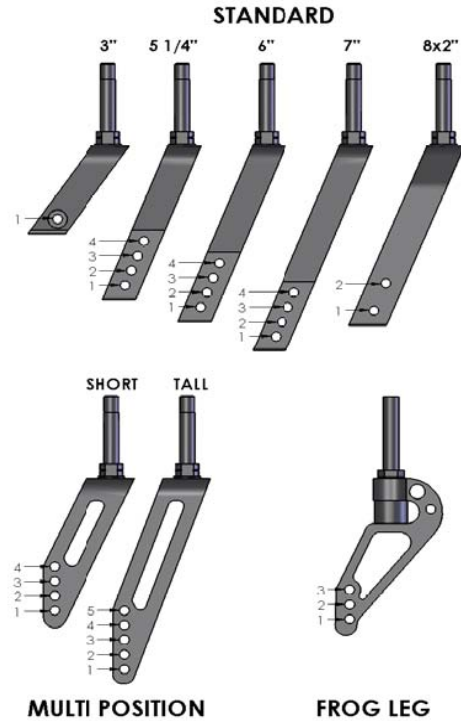
<sup>1</sup> Only available with 8 x 2" fork

**CASTER FORK**

<input type="checkbox"/>	184CF46	Multi Position Fork-Tall	NC
<input type="checkbox"/>	184CF46	Multi Position Fork- Short	NC
<input type="checkbox"/>	184CF62	3" Fork	NC
<input type="checkbox"/>	184CF46	5.25" Fork	NC
<input type="checkbox"/>	184CF46	6" Fork	NC
<input type="checkbox"/>	184CS3	7" Fork	NC
<input type="checkbox"/>	184CS3	8" x 2" Fork	NC
<input type="checkbox"/>	184CF53	Frog Legs Suspension (0-100 lbs.)	\$401
<input type="checkbox"/>	184CF54	Frog Legs Suspension (101-190 lbs.)	\$401
<input type="checkbox"/>	184CF55	Frog Legs Suspension (191-265 lbs.)	\$401
<input type="checkbox"/>	184CF30	Omit Caster Wheels	NC

**CASTER OPTIONS**

<input type="checkbox"/>	184CS5	Caster Pin Locks (N/A w/ 8" x 2") (N/A with Xtender Power Assist Option or Frog Legs)	\$118
--------------------------	--------	---	-------



HANGERS			
<input type="checkbox"/>	184H1	60° Swing In / Out Hanger	NC
<input type="checkbox"/>	184H2	70° Swing In / Out Hanger	STD
<input type="checkbox"/>	184H5	70° Hemi Swing In / Out Hanger <i>(Only available with Adult Angle Adj. Footplates with caster wheels 5" or greater)</i>	NC
<input type="checkbox"/>	184H24	Articulating Hanger <i>(Avail. w/ composite &amp; Alum angle adj. footplates) (N/A with Push To Lock Wheel Locks)</i>	\$463
<input type="checkbox"/>	184H14	Elevating Hanger <i>(Only available with Alum. footplates or angle adj.) (N/A with short extension tubes.)</i>	\$311
<input type="checkbox"/>	184H42	Elevating Hemi-Hanger <i>(Only available 14"- 22" W, w/ Alum or angle adj.)</i>	\$311
<input type="checkbox"/>	184H7	70° Swing In / Out Front Mount <i>(Available w/ Adult angle adj. footplates)</i>	NC
<input type="checkbox"/>	184H8	80° Swing In / Out Front Mount <i>(Available w/ Adult angle adj. footplates)</i>	NC
<input type="checkbox"/>	184H6	90° Swing In / Out Front Mount <i>(Available w/ Adult angle adj. footplates)</i>	NC

EXTENSION PLUGS (Front Mount Hangers Only)			
<input type="checkbox"/>	184E22	2" Front Mount Only <i>(N/A with 6" or 8" caster, 90° hangers or ELR's)</i>	\$37
<input type="checkbox"/>	184E24	4" Front Mount Only <i>(N/A with 6" or 8" caster, 90° hangers or ELR's)</i>	\$37

EXTENSIONS (Required with Extension Tube Mounted Hangers)			
<input type="checkbox"/>	184E1	Short (see matrix for lengths)	NC
<input type="checkbox"/>	184E2	Medium (see matrix for lengths)	NC
<input type="checkbox"/>	184E5	Long (see matrix for lengths)	NC
<input type="checkbox"/>	184E12	Short ELR <i>(elevating leg rest only)</i>	NC
<input type="checkbox"/>	184E15	Long ELR <i>(elevating leg rest only)</i>	NC
<input type="checkbox"/>	184E16	High Mount <i>(N/A with One-Arm drive option or ELR's)</i>	\$84

FOOTPLATES			
<input type="checkbox"/>	184F1	Composite w/ Heel Loop <i>(Available 13" - 22" widths &amp; ext tube mounted only)</i>	STD
<input type="checkbox"/>	163F1	Composite Angle Adj. Footplate w/ HL <i>(Available 16" to 22" widths &amp; ext tube mounted only)</i>	\$121
<input type="checkbox"/>	184F3	Adult Angle Adj. w/ Heel Loop <i>(Available on 12" - 22" widths)</i>	\$121
<input type="checkbox"/>	184F5	Aluminium Footplate <i>(Only available with elevating hangers.)</i>	NC
<input type="checkbox"/>	184F62	90° Footboard <i>(Only available up to 16" wide &amp; 70°, 80° or 90° hangers.)</i>	\$168
<input type="checkbox"/>	184F48	Platform Flip Up with Leg Strap <i>(N/A with short extension tubes.) (Only available with 60°, 70°, 70° V or hemi swing in / out hangers.)</i>	\$166

FOOTREST OPTIONS (EXTENSION TUBE AND DIRECT MOUNT)			
<input type="checkbox"/>	184HL4	Omit Heel Loop	NC
<input type="checkbox"/>	184HL6	Omit Leg Strap	NC

TOE LOOPS			
<input type="checkbox"/>	184HL6	Toe Loops	\$22

**LOWER LEG LENGTH SETTING (Recommend 2" less than FSTFH)**

Not all lengths are available.

Please refer to Figure 3 - Footrest Length Matrix, below.

<input type="checkbox"/>	184F234	9"	NC
<input type="checkbox"/>	184F234	10"	NC
<input type="checkbox"/>	184F234	11"	NC
<input type="checkbox"/>	184F234	12"	NC
<input type="checkbox"/>	184F234	13"	NC
<input type="checkbox"/>	184F234	14"	NC
<input type="checkbox"/>	184F234	15"	NC
<input type="checkbox"/>	184F234	16"	NC
<input type="checkbox"/>	184F234	17"	NC
<input type="checkbox"/>	184F234	18"	NC
<input type="checkbox"/>	184F234	19"	NC
<input type="checkbox"/>	184F234	20"	NC

**FIGURE 3 - FOOTREST LENGTH MATRIX**

Distance is measured from the top of the hanger to the footplate.

**Footrest Length Matrix (all dims in inches)**

Hanger	Extension	Top of hanger to the footplate	
		Min	Max
60° Swing Away	Short	12.5	16.5
	Med	13.0	18.0
	Long	15.0	19.5
70° Swing Away (Std & Hemi)	Short	13.0	17.0
	Med	13.5	18.5
	Long	15.5	20.5
60° Swing Away w/ Platform Flip-up	Short	11.5	14.5
	Long	14.0	18.5
70° Swing Away w/ Platform Flip-up	Short	12.5	15.5
	Long	15.5	20.0
60° Swing Away w/ Locking Ang Adj	Short	12.0	14.0
	Med	12.0	16.0
	Long	12.0	16.5
70° Swing Away w/ Locking Ang Adj	Short	12.5	15.0
	Med	12.5	17.0
	Long	12.5	17.5
*70° Front Mount	No Ext	9.0	11.5
	2" Ext	9.0	14.0
	4" Ext	9.0	16.0
*80° Front Mount	No Ext	9.0	12.0
	2" Ext	9.0	14.5
	4" Ext	9.0	16.5
90° Front Mount	No Ext	5.5	11.5
ALR	Med	15.0	17.5
	Long	17.5	20.0
ELR	Short	14.0	18.0
	Long	15.0	20.0

\* 2" & 4" Extensions shipped separate, not mounted

\*Anything below 9" will require a high mount extension

**REAR SEAT HEIGHT**

Not all options are available. Please refer to Figure 5 (this page) - Rear Seat Height Availability Matrix, on this page.

<input type="checkbox"/>	184RH14	14.5"	NC
<input type="checkbox"/>	184RH15	15"	NC
<input type="checkbox"/>	184RH16	15.5"	NC
<input type="checkbox"/>	184RH17	16"	NC
<input type="checkbox"/>	184RH18	16.5"	NC
<input type="checkbox"/>	184RH19	17"	NC
<input type="checkbox"/>	184RH26	17.5"	NC
<input type="checkbox"/>	184RH20	18"	NC
<input type="checkbox"/>	184RH27	18.5"	NC
<input type="checkbox"/>	184RH21	19"	NC
<input type="checkbox"/>	184RH37	19.5"	NC
<input type="checkbox"/>	184RH37	20"	NC
<input type="checkbox"/>	184RH37	20.5"	NC
<input type="checkbox"/>	184RH37	21"	NC
<input type="checkbox"/>	184RH37	21.5"	NC
<input type="checkbox"/>	184RH37	22"	NC

21.5" & 22" only avail with amputee or straight axle plate & Mountain Wheel

**REAR WHEEL SIZE**

Not applicable when Xtender Power Assist Option is chosen.

Ultra Lightweight Wheels only available with Aluminium Anodized Handrim

<input type="checkbox"/>	184RW3	20" Mag Wheel	NC
<input type="checkbox"/>	184RW4	22" Mag Wheel	NC
<input type="checkbox"/>	184RW8	24" Mag Wheel	NC
<input type="checkbox"/>	184RW90	20" Lite Spoke Wheel	\$168
<input type="checkbox"/>	184RW91	22" Lite Spoke Wheel	\$168
<input type="checkbox"/>	184RW92	24" Lite Spoke Wheel	NC
<input type="checkbox"/>	184RW93	25" Lite Spoke Wheel	NC
<input type="checkbox"/>	184RW94	26" Lite Spoke Wheel	\$123
<input type="checkbox"/>	184RW77	22" Ultra Lightweight Spoke Wheel	\$364
<input type="checkbox"/>	184RW78	24" Ultra Lightweight Spoke Wheel	\$364
<input type="checkbox"/>	184RW28	22" Spinerger SPOX Black	\$1,064
<input type="checkbox"/>	184RW30	24" Spinerger SPOX Black	\$1,064
<input type="checkbox"/>	184RW43	25" Spinerger SPOX Black	\$1,064
<input type="checkbox"/>	184RW44	26" Spinerger SPOX Black	\$1,064
<input type="checkbox"/>	184RW32	22" Spinerger LX Black	\$1,176
<input type="checkbox"/>	184RW88	24" Spinerger LX Black	\$1,176
<input type="checkbox"/>	184RW89	25" Spinerger LX Black	\$1,176
<input type="checkbox"/>	184RW40	26" Spinerger LX Black	\$1,176
<input type="checkbox"/>	184RW50	24" Mountain	\$364
<input type="checkbox"/>	184RW25	Omit Rear Wheel and Axle (Intended Size for Set Up _____)	

FIGURE 4 - REAR WHEEL & TYRE AVAILABILITY MATRIX

Rear Tire & Wheel Matrix Quickie 2 Rev D					
Tire	Wheel				
	Mag	Lite Spoke	Ultra Lightweight	Spinerger	Mountain
Pneumatic	20,22,24	20,22,24,26		22,24,26	
Pneumatic Airless Insert	22,24	22,24		22,24	
Full Poly Tire	20,22,24	20,22,24			
High-Pressure Clincher		22,24,25,26	22,24,26	22,24,25,26	
Knobby V-TRAK		24		24	
Schwalbe Marathon Plus		24,25,26	22,24,26	24,25,26	
Kik® Mako Black	24	24,25		24,25	
Mountain					24

22" = 489 24" = 540 25" = 559 26" = 590

**REAR WHEEL TYRE**

Not applicable when Xtender Power Assist Option is chosen.

<input type="checkbox"/>	184RT1	Pneumatic	STD
<input type="checkbox"/>	184RT2	Pneumatic Airless Insert	\$185
<input type="checkbox"/>	184RT3	Full Polyurethane	NC
<input type="checkbox"/>	184RT6	High-Pressure Clincher	\$68
<input type="checkbox"/>	184RT27	Knobby V- Trak by Kenda	\$134
<input type="checkbox"/>	184RT21	Schwalbe Marathon Plus Evolution	\$134
<input type="checkbox"/>	184RT22	Kik® Mako Black (22" KIK is only available in Pyramid profile)	\$118
<input type="checkbox"/>	184RT12	Mountain	\$118

**HANDRIM**

Alum. & Plastic are avail on all wheels in all sizes except Ultra Lightweight

Natural Fits are available in 22", 24", 25" and 26" sizes

Handrim Selection not applicable with Extender Power Assist

<input type="checkbox"/>	184HR1	Aluminium Anodized	NC
<input type="checkbox"/>	184HR4	Plastic Coated	\$105
<input type="checkbox"/>	184HR4	Natural Fit - Standard Grip	\$358
<input type="checkbox"/>	184HR4	Natural Fit - Super Grip	\$414
<input type="checkbox"/>	184HR30	Natural Fit LT- Standard Grip	\$403
<input type="checkbox"/>	184HR31	Natural Fit LT- Super Grip	\$437
<input type="checkbox"/>	184HR33	Spinerger Flex Rim (Only available on 24" & 25" Spinerger LX wheel)	\$498
<input type="checkbox"/>	184HR7	Omit Handrim	-\$15

**PROJECTION HANDRIMS**

N/A with Xtender Power Assist Option or plastic coated handrims.

Only available with 24" or 26" rims / Height Adj and Flip Back Arms

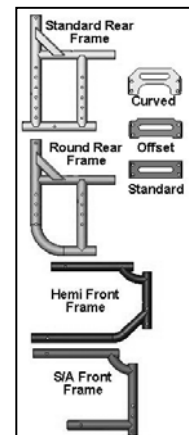
<input type="checkbox"/>	184HR8	8 Oblique	\$284
--------------------------	--------	-----------	-------

FIGURE 5 - REAR SEAT HEIGHT AVAILABILITY MATRIX

Rear Side Frame	Min RSH	Max RSH
Curved	13.5	21
Straight	13.5	22
DAB	14	22

Q2 Rear Seat Height Availability

Rear Tire	Min RSH	Max RSH
20" Pneumatic	13.5	19.0
20" Poly	13.5	19.0
22" Pneumatic	14.0	20.0
22" Poly	14.0	20.0
22" HP Clincher	13.5	19.5
22" Schwalbe	13.5	19.5
22" Kik	13.5	19.5
24" Pneumatic	14.5	21.0
24" Kevlar	14.5	21.0
24" Poly	14.5	21.0
24" HP Clincher	14.5	20.5
24" Knobby	14.5	21.0
24" Schwalbe	14.5	20.5
24" Kik	14.5	20.5
24" Urban Assault	15.5	21.5
24" Mountain	15.0	21.0
24" Poly Low	14.5	20.5
25" HP Clincher	15.0	21.0
25" Schwalbe	15.0	21.0
25" KIK	14.5	20.5
26" Pneumatic	16.0	22.0
26" HP Clincher	15.5	21.5
26" Schwalbe	15.5	21.5



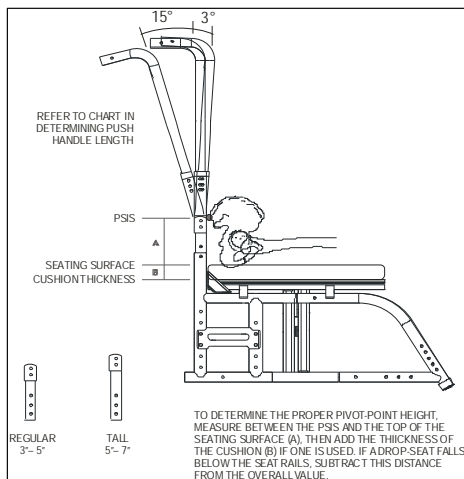
AXLE			
<input type="checkbox"/>	184AX1	Quick Release Steele	STD
<input type="checkbox"/>	184AX11	Quad Quick Release (Mag and Mountain Wheel Only)	\$168

AXLE PLATE			
<input type="checkbox"/>	184AL2	Standard Adjustable (Some restrictions may apply)	NC
<input type="checkbox"/>	184AL5	Curved Adjustable	\$68
<input type="checkbox"/>	184AL6	Amputee Adjustable (Only avail with SPHA arms at swing away price)	\$106
<input type="checkbox"/>	184AL29	Offset Adjustable (Rear seat height will be 1/4" lower than std RSTFH)	NC

ONE ARM DRIVE			
<i>N/A with Xtender, 25" &amp; 26" wheels, 12" 21" &amp; 22" Wide, HD Package</i>			
<i>Padded Swing Away Arm, anti tips, amputee axle, or small tray table. Mags only.</i>			
<input type="checkbox"/>	184AL16	One Arm Drive Adj. Axle Plate	\$1,005
<input type="checkbox"/>	184OA1	Small Handrim (N/A w/ 20" wheels)	NC
<input type="checkbox"/>	184OA2	Standard Handrim	NC
<input type="checkbox"/>	184HM1	Right Hand Mount	NC
<input type="checkbox"/>	184HM2	Left Hand Mount	NC

BACK TYPE			
<input type="checkbox"/>	184BT19	Standard	NC
<input type="checkbox"/>	184BT20	Angle Adjustable Back (3" - 5")	\$204
<input type="checkbox"/>	184BT22	Angle Adjustable Back (5" - 7") (Please select angle adjustable pivot height below)	\$204
<input type="checkbox"/>	184BT6	Depth Adjustable (DAB FRAME required)	NC

ANGLE ADJUSTABLE BACKREST PIVOT HEIGHT			
<i>Standard push handles only. Some interference with Padded SA arms</i>			
<i>N/A with flip-back or flip-back height adjustable armrests.</i>			
<input type="checkbox"/>	184AH1	Angle Adjustable Pivot 3"	NC
<input type="checkbox"/>	184AH2	Angle Adjustable Pivot 4"	NC
<input type="checkbox"/>	184AH3	Angle Adjustable Pivot 5"	NC
<input type="checkbox"/>	184AH4	Angle Adjustable Pivot 6"	NC
<input type="checkbox"/>	184AH5	Angle Adjustable Pivot 7"	NC



BACKREST UPHOLSTERY (STANDARD OR ANGLE ADJUSTABLE)			
<i>Adjustable upholstery is not available with heavy duty package.</i>			
<input type="checkbox"/>	184BU1	Standard Upholstery	NC
<input type="checkbox"/>	184BU8	Tension Adjustable Upholstery	\$185
<input type="checkbox"/>	184BP8	Omit Back Post & Upholstery (Use with DAB solid back & Hardware)	-\$39
<input type="checkbox"/>	184BU23	Depth Adjustable Solid Back	\$118
<input type="checkbox"/>	184BU14	Omit Back Upholstery	-\$15

BACKREST OPTION			
<input type="checkbox"/>	184BU16	Reinforced Upholstery	\$50

JAY BACK (OPTIONAL)			
<input type="checkbox"/>	145JB01	Jay J3 Back (See J3 Back Order Form)	See OF

BACK POST OPTIONS (Standard or Angle Adjustable)			
<input type="checkbox"/>	184BP1	Push Handle Straight	STD
<input type="checkbox"/>	184BP3	Push Handle 8° (Medium or Tall only) (N/A on Angle Adjustable Backrest)	\$31
<input type="checkbox"/>	184BP2	Omit push Handle Straight (N/A w/ HD)	-\$10
<input type="checkbox"/>	184BP4	Omit Push Handle 8° (N/A w/ HD)	-\$10
<input type="checkbox"/>	184BP5	Angle Adj. Straight Push Handles	NC
<input type="checkbox"/>	184BP6	Angle Adj. Straight Omit Push Handles	-\$10

BACK POST OPTIONS (Depth Adjustable Back - DAB)			
<input type="checkbox"/>	184BP33	DAB - Swing Away Stroller Handles	\$123
<input type="checkbox"/>	184BP27	DAB - Post Standard	NC
<input type="checkbox"/>	184BP28	DAB - Post Medium	NC
<input type="checkbox"/>	184BP29	DAB - Post Tall	NC

STROLLER HANDLE EXTENSIONS FOR THE ABOVE			
<i>Cannot be used with DAB Swing-Away Stroller Handles</i>			
<input type="checkbox"/>		DAB - Stroller Extension - Standard	\$85
<input type="checkbox"/>		DAB - Stroller Extension - Medium	\$85
<input type="checkbox"/>		DAB - Stroller Extension - Tall	\$85

STROLLER HANDLES (Standard or Angle Adjustable Back)			
<input type="checkbox"/>	184SR2	Regular Stroller Handles	\$155
<input type="checkbox"/>	184SR3	Tall Stroller Handles	\$155
<input type="checkbox"/>	184SR6	Tall Stroller Handles	\$155

*(Use w/ swing away armrests)*

*N/A when Transit, Xtender, depth adjustable back are selected, or amputee axle plate.*

*NA w/ Flip-back or flip-back height adjustable armrests.*

*NA w/ Push handles with angle adjustable back.*



SEAT SLING			
<input type="checkbox"/>	184SL1	Standard Seat Sling	STD
<input type="checkbox"/>	184SL6	Omit Seat Sling	NC

CUSHION			
<input type="checkbox"/>	184CU1	2" Cushion	\$106

SIDE GUARD			
<i>All side guards N/A w/ Height Adj. Arms</i>			
<i>Side guards not recommended w/ Padded S/A arms due to interference at some heights</i>			
<input type="checkbox"/>	184SG33	Plastic Standard (8.5" High)	\$148
<input type="checkbox"/>	184SG29	Plastic Low (6.5" High)	\$148

ANTI-TIP			
<input type="checkbox"/>	184AT6	Rear Anti-Tip (Included with Xtender)	\$135

BACKPACK			
<input type="checkbox"/>	184A1	Black - Adult	\$62
<input type="checkbox"/>	184A2	Black - Kids	\$56

SEAT POUCH			
<input type="checkbox"/>	184A8	Quickie Seat Pouch Black	\$68

ADDITIONAL COVER & PACK ACCESSORIES			
<input type="checkbox"/>	184A500	Gel Cover Hanger / Frame	\$112
<input type="checkbox"/>	184A994	Gel Cover Swing Away Arm	\$112

POSITIONING BELTS			
<input type="checkbox"/>	184A117	Belt 1.5" Auto Buckle w/ Clamps	\$67
<input type="checkbox"/>	184A117	Belt 2" Aircraft Buckle w/ Clamps	\$154
<input type="checkbox"/>	184A118	Belt 2" Aircraft Buckle Pad w/ Clamp	\$129
<input type="checkbox"/>	184A120	Positioning Belt Slide Clamps	\$54

SPOKE GUARDS			
<input type="checkbox"/>	184A302	Clear	\$120
<input type="checkbox"/>	184A23	Black	\$120

MISCELLANEOUS			
<input type="checkbox"/>	184A82	Caddy <i>(N/A with front mount hangers)</i>	\$50
<input type="checkbox"/>	184A49	Crutch Holder	\$108
<input type="checkbox"/>	184A55	Extra Leg Strap Black	\$50
<input type="checkbox"/>	184IG2	Impact Guard Neoprene	\$85
<input type="checkbox"/>	184A73	IV Holder	\$162
<input type="checkbox"/>	184A145	O <sub>2</sub> Holder <i>(N/A with transit )</i>	\$392
<input type="checkbox"/>	184A98	Presta Valve Adapter	\$6
<input type="checkbox"/>	184A83	Tool Kit	NC
<input type="checkbox"/>	184A50	Tray Table	\$291

FRAME COLOUR			
<input type="checkbox"/>	184C2	Black <i>(N/A as base w/ Zebra)</i>	NC
<input type="checkbox"/>	184C10	Black Opal	NC
<input type="checkbox"/>	184C38	Blue Opal	NC
<input type="checkbox"/>	184C36	Candy Blue	NC
<input type="checkbox"/>	184C35	Candy Red	NC
<input type="checkbox"/>	184C128	Copper	NC
<input type="checkbox"/>	184C6	Forest Green	NC
<input type="checkbox"/>	184C127	Fuscia	NC
<input type="checkbox"/>	184C126	Glow	NC
<input type="checkbox"/>	184C4	Midnight Purple	NC
<input type="checkbox"/>	184C5	Pearl Pink	NC
<input type="checkbox"/>	184C103	Rootbeer	NC
<input type="checkbox"/>	184C114	Sparkle Silver	NC
<input type="checkbox"/>	184C11	Toxic Green	NC
<input type="checkbox"/>	184C8	Yellow	NC
<input type="checkbox"/>	184C113	Titanium Paint Colour	NC

CUSTOM FRAME COLOUR			
<input type="checkbox"/>		Desert Camouflage	\$353
<input type="checkbox"/>	184C120	Mossy Oak Camouflage	\$353
<input type="checkbox"/>	184C123	Stars & Stripes	\$353
<input type="checkbox"/>	184C108	Zebra	\$353
<i>(Choose above frame colour - Not avail. in black. Std white base if no colour is chosen)</i>			

**ADDITIONAL OPTIONS THROUGH BUILT 4 ME**  
 To inquire about any unique customization for Quickie products, contact:  
 Phone: (02) 8858 9191 • Fax: (02) 8858 9155



**TOTAL CHAIR PRICE: \$ \_\_\_\_\_**



FIGURE 7 - FRONT SEAT TO FLOOR HEIGHT AVAILABILITY MATRIX

*Quickie 2 Seat To Floor Height Matrix - Standard Frame (Hemi subtract 2")									
All 3" Casters									
Fork Size	Stem Size	Bolt Position							
		5	4	3	2	1			
Multi Position Short	Std	-	-	-	16.5	17.0			
	3/4"	-	-	-	17.0	17.5			
	1 1/2"	-	-	-	18.0	18.5			
Multi Position Tall	Std	-	-	-	18.5	19.0			
	3/4"	-	-	-	19.0	19.5			
	1 1/2"	-	-	-	20.0	20.5			
3"	Std	-	-	-	15.0	-			
	3/4"	-	-	-	15.5	-			
	1 1/2"	-	-	-	16.5	-			
5 1/4"	Std	-	-	-	17.0	-			
	3/4"	-	-	-	18.0	-			
	1 1/2"	-	-	-	18.5	-			
6"	Std	-	-	-	18.0	-			
	3/4"	-	-	-	18.5	-			
	1 1/2"	-	-	-	19.5	-			
7"	Std	-	-	-	19.0	-			
	3/4"	-	-	-	19.5	-			
	1 1/2"	-	-	-	20.5	-			
8" X 2"	Std	-	-	-	-	-			
	3/4"	-	-	-	-	-			
	1 1/2"	-	-	-	-	-			
Frog Legs	Std	-	-	-	16.5	17.0			
	3/4"	-	-	-	18.0	18.5			
	1 1/2"	-	-	-	18.0	18.5			
All 4" Casters									
Fork Size	Stem Size	Bolt Position							
		5	4	3	2	1			
Multi Position Short	Std	-	-	-	16.5	17.0			
	3/4"	-	-	-	17.5	18.0			
	1 1/2"	-	-	-	18.5	19.0			
Multi Position Tall	Std	-	-	-	18.5	19.0			
	3/4"	-	-	-	19.5	20.0			
	1 1/2"	-	-	-	20.5	21.0			
3"	Std	-	-	-	-	-			
	3/4"	-	-	-	-	-			
	1 1/2"	-	-	-	-	-			
5 1/4"	Std	-	-	-	16.5	17.0			
	3/4"	-	-	-	18.0	18.5			
	1 1/2"	-	-	-	18.5	19.0			
6"	Std	-	-	-	18.0	18.5			
	3/4"	-	-	-	18.5	19.0			
	1 1/2"	-	-	-	19.5	20.0			
7"	Std	-	-	-	19.0	19.5			
	3/4"	-	-	-	19.5	20.0			
	1 1/2"	-	-	-	20.5	21.0			
8" X 2"	Std	-	-	-	-	-			
	3/4"	-	-	-	-	-			
	1 1/2"	-	-	-	-	-			
Frog Legs	Std	-	-	-	16.5	17.0			
	3/4"	-	-	-	18.0	18.5			
	1 1/2"	-	-	-	18.0	18.5			
All 5" Casters									
Fork Size	Stem Size	Bolt Position							
		5	4	3	2	1			
Multi Position Short	Std	-	-	-	16.5	17.0			
	3/4"	-	-	-	17.5	18.0			
	1 1/2"	-	-	-	18.5	19.0			
Multi Position Tall	Std	-	-	-	18.5	19.0			
	3/4"	-	-	-	19.5	20.0			
	1 1/2"	-	-	-	20.5	21.0			
3"	Std	-	-	-	-	-			
	3/4"	-	-	-	-	-			
	1 1/2"	-	-	-	-	-			
5 1/4"	Std	-	-	-	17.0	17.5			
	3/4"	-	-	-	18.5	19.0			
	1 1/2"	-	-	-	19.0	19.5			
6"	Std	-	-	-	18.0	18.5			
	3/4"	-	-	-	18.5	19.0			
	1 1/2"	-	-	-	20.0	20.5			
7"	Std	-	-	-	19.0	19.5			
	3/4"	-	-	-	20.0	20.5			
	1 1/2"	-	-	-	21.0	21.5			
8" X 2"	Std	-	-	-	-	-			
	3/4"	-	-	-	-	-			
	1 1/2"	-	-	-	-	-			
Frog Legs	Std	-	-	-	17.5	18.0			
	3/4"	-	-	-	19.0	19.5			
	1 1/2"	-	-	-	19.0	19.5			
All 6" Casters									
Fork Size	Stem Size	Bolt Position							
		5	4	3	2	1			
Multi Position Short	Std	-	-	-	17.0	17.5			
	3/4"	-	-	-	18.5	19.0			
	1 1/2"	-	-	-	19.0	19.5			
Multi Position Tall	Std	18.0	18.5	19.0	19.5	20.0			
	3/4"	-	-	-	20.5	21.0			
	1 1/2"	-	-	-	21.0	21.5			
3"	Std	-	-	-	-	-			
	3/4"	-	-	-	-	-			
	1 1/2"	-	-	-	-	-			
5 1/4"	Std	-	-	-	17.5	18.0			
	3/4"	-	-	-	18.5	19.0			
	1 1/2"	-	-	-	19.5	20.0			
6"	Std	-	-	-	17.5	18.0			
	3/4"	-	-	-	18.5	19.0			
	1 1/2"	-	-	-	20.0	20.5			
7"	Std	-	-	-	18.5	19.0			
	3/4"	-	-	-	19.5	20.0			
	1 1/2"	-	-	-	20.5	21.0			
8" X 2"	Std	-	-	-	-	-			
	3/4"	-	-	-	-	-			
	1 1/2"	-	-	-	-	-			
Frog Legs	Std	-	-	-	18.5	19.0			
	3/4"	-	-	-	19.5	20.0			
	1 1/2"	-	-	-	20.0	20.5			
All 7" Casters									
Fork Size	Stem Size	Bolt Position							
		5	4	3	2	1			
Multi Position Short	Std	-	-	-	-	19.0			
	3/4"	-	-	-	-	19.5			
	1 1/2"	-	-	-	-	20.5			
Multi Position Tall	Std	-	-	-	19.5	20.0			
	3/4"	-	-	-	21.0	21.5			
	1 1/2"	-	-	-	22.0	-			
3"	Std	-	-	-	-	-			
	3/4"	-	-	-	-	-			
	1 1/2"	-	-	-	-	-			
5 1/4"	Std	-	-	-	18.5	19.0			
	3/4"	-	-	-	19.5	20.0			
	1 1/2"	-	-	-	20.0	20.5			
6"	Std	-	-	-	19.0	19.5			
	3/4"	-	-	-	20.0	20.5			
	1 1/2"	-	-	-	21.0	21.5			
7"	Std	-	-	-	19.5	20.0			
	3/4"	-	-	-	20.5	21.0			
	1 1/2"	-	-	-	21.0	21.5			
8" X 2"	Std	-	-	-	-	-			
	3/4"	-	-	-	-	-			
	1 1/2"	-	-	-	-	-			
Frog Legs	Std	-	-	-	-	-			
	3/4"	-	-	-	-	-			
	1 1/2"	-	-	-	-	-			
All 8" x 1.5" Casters									
Fork Size	Stem Size	Bolt Position							
		5	4	3	2	1			
Multi Position Short	Std	-	-	-	-	-			
	3/4"	-	-	-	-	-			
	1 1/2"	-	-	-	-	-			
Multi Position Tall	Std	-	-	-	-	-			
	3/4"	-	-	-	-	-			
	1 1/2"	-	-	-	-	-			
3"	Std	-	-	-	-	-			
	3/4"	-	-	-	-	-			
	1 1/2"	-	-	-	-	-			
5 1/4"	Std	-	-	-	18.5	19.0			
	3/4"	-	-	-	19.5	20.0			
	1 1/2"	-	-	-	20.0	20.5			
6"	Std	-	-	-	19.0	19.5			
	3/4"	-	-	-	20.0	20.5			
	1 1/2"	-	-	-	21.0	21.5			
7"	Std	-	-	-	19.5	20.0			
	3/4"	-	-	-	20.5	21.0			
	1 1/2"	-	-	-	22.0	-			
8" X 2"	Std	-	-	-	-	-			
	3/4"	-	-	-	-	-			
	1 1/2"	-	-	-	-	-			
Frog Legs	Std	-	-	-	-	-			
	3/4"	-	-	-	-	-			
	1 1/2"	-	-	-	-	-			
All 8" x 2" Casters									
Fork Size	Stem Size	Bolt Position							
		5	4	3	2	1			
Multi Position Short	Std	-	-	-	-	-			
	3/4"	-	-	-	-	-			
	1 1/2"	-	-	-	-	-			
Multi Position Tall	Std	-	-	-	-	-			
	3/4"	-	-	-	-	-			
	1 1/2"	-	-	-	-	-			
3"	Std	-	-	-	-	-			
	3/4"	-	-	-	-	-			
	1 1/2"	-	-	-	-	-			
5 1/4"	Std	-	-	-	-	-			
	3/4"	-	-	-	-	-			
	1 1/2"	-	-	-	-	-			
6"	Std	-	-	-	-	-			
	3/4"	-	-	-	-	-			
	1 1/2"	-	-	-	-	-			
7"	Std	-	-	-	-	-			
	3/4"	-	-	-	-	-			
	1 1/2"	-	-	-	-	-			
8" X 2"	Std	-	-	-	19.5	20.5			
	3/4"	-	-	-	20.0	21.0			
	1 1/2"	-	-	-	22.0	-			
Frog Legs	Std	-	-	-	-	-			
	3/4"	-	-	-	-	-			
	1 1/2"	-	-	-	-	-			
All Other 8" Casters									
Fork Size	Stem Size	Bolt Position							
		5	4	3	2	1			
Multi Position Short	Std	-	-	-	-	-			
	3/4"	-	-	-	-	-			
	1 1/2"	-	-	-	-	-			
Multi Position Tall	Std	19.0	19.5	20.0	20.5	21.0			
	3/4"	-	-	-	21.5	22.0			
	1 1/2"	-	-	-	22.0	-			
3"	Std	-	-	-	-	-			
	3/4"	-	-	-	-	-			
	1 1/2"	-	-	-	-	-			
5 1/4"	Std	-	-	-	-	19.5			
	3/4"	-	-	-	-	20.0			
	1 1/2"	-	-	-	-	21.0			
6"	Std	-	-	-	-	19.5			
	3/4"	-	-	-	-	20.5			
	1 1/2"	-	-	-	-	21.0			
7"	Std	-	-	-	19.5	20.0			
	3/4"	-	-	-	20.5	21.0			
	1 1/2"	-	-	-	21.5	22.0			
8" X 2"	Std	-	-	-	-	-			
	3/4"	-	-	-	-	-			
	1 1/2"	-	-	-	-	-			
Frog Legs	Std	-	-	-	-	-			
	3/4"	-	-	-	-	-			
	1 1/2"	-	-	-	-	-			

\* Values Given are Estimates. Actual seat to floor height may vary based on seat depth and front seat to floor height selection.