



ZIPPIE GS (Transit Included)



EIZGS

Effective: July, 2011

ORDERING INFORMATION: Phone: (02) 8858 9191 • Fax: (02) 8858 9155 • Email: orders@sunrisemedical.com.au

ACCOUNT INFORMATION

Account No:	_____	Ship To:	_____
Date:	_____	Name:	_____
P.O #:	_____	Address:	_____
Therapist:	_____	City / State:	_____
Customer Name:	_____	Postcode:	_____
		Phone:	_____

ZIPPIE GS (Transit Included)

1. FRAME STYLE

All Zippie GS models grow in width and depth.

- | | | | | | |
|----------------------------------|--|---------|---------------------------------|---|----|
| <input type="checkbox"/> 087WM70 | Folding Growing Zippie GS
<i>(Includes True Fit Growth)</i> | \$2,649 | <input type="checkbox"/> 087FC4 | Reverse Configuration | NC |
| <input type="checkbox"/> 087WM71 | Rigid Growing Zippie GS
<i>(Includes True Fit Growth)</i> | \$2,549 | | <i>(N/A w/ transit opt. Swing-Away hangers non-rem. in reverse configuration; lift off hangers recommended)</i> | |
| | | | <input type="checkbox"/> 087FC3 | Standard Configuration | NC |

2. TRANSIT SYSTEM

- | | | | | | |
|---------------------------------|---|----|---------------------------------|--------------------------------|--------|
| <input type="checkbox"/> 087TO2 | Transit Included w/ Seating
<i>(Requires selection of Seat & Back)</i> | NC | <input type="checkbox"/> 087TO5 | Transit Included w/ Conv. Seat | NC |
| <input type="checkbox"/> 087TO4 | Transit Included w/o Seating | NC | <input type="checkbox"/> 087TO6 | Transit Included w/ Fit. Seat | NC |
| | | | <input type="checkbox"/> 087TO7 | Transit Omit | -\$150 |

3. FRAME COLOUR

STANDARD COLOURS			CUSTOM COLOURS		
<input type="checkbox"/> 184C2	Black <i>(Not avail as base w/ Zebra)</i>	NC	<input type="checkbox"/> 184C120	Mossy Oak Camouflage	\$353
<input type="checkbox"/> 184C10	Black Opal	NC	<input type="checkbox"/> 184C123	Stars and Stripes	\$353
<input type="checkbox"/> 184C38	Blue Opal	NC	<input type="checkbox"/> 184C108	Zebra	\$353
<input type="checkbox"/> 184C36	Candy Blue	NC		<i>(Choose base colour above - Not avail in black. Std white base if no colour is chosen)</i>	
<input type="checkbox"/> 184C35	Candy Red	NC			
<input type="checkbox"/> 184C128	Copper	NC			
<input type="checkbox"/> 184C6	Forest Green	NC			
<input type="checkbox"/> 184C127	Fuchsia	NC			
<input type="checkbox"/> 184C126	Glow	NC			
<input type="checkbox"/> 184C4	Midnight Purple	NC			
<input type="checkbox"/> 184C5	Pearl Pink	NC			
<input type="checkbox"/> 184C103	Rootbeer	NC			
<input type="checkbox"/> 184C114	Sparkle Silver	NC			
<input type="checkbox"/> 184C11	Toxic Green	NC			
<input type="checkbox"/> 184C8	Yellow	NC			
<input type="checkbox"/> 184C113	Titanium Paint Colour	NC			

4. GROWING FRAME WIDTH

<input type="checkbox"/> 087BW4	Small Cross Brace	NC	<input type="checkbox"/> 087BW6	Large Cross Brace	NC
<input type="checkbox"/> 087W1	10"	NC	<input type="checkbox"/> 087W5	14"	NC
<input type="checkbox"/> 087W2	11"	NC	<input type="checkbox"/> 087W6	15"	NC
<input type="checkbox"/> 087W3	12"	NC	<input type="checkbox"/> 087W7	16"	NC
<input type="checkbox"/> 087BW5	Medium Cross Brace	NC	<input type="checkbox"/> 087BW7	X-Large Cross Brace	\$95
<input type="checkbox"/> 087W3	12"	NC	<input type="checkbox"/> 087W7	16"	NC
<input type="checkbox"/> 087W4	13"	NC	<input type="checkbox"/> 087W8	17"	NC
<input type="checkbox"/> 087W5	14"	NC	<input type="checkbox"/> 087W9	18"	NC

5. GROWING FRAME DEPTH AND BACK POST LOCATION

<input type="checkbox"/> 087FL3	Short Frame	NC	<input type="checkbox"/> 087FL18	Long Frame	NC
<input type="checkbox"/> 087FD1	10"	NC	<input type="checkbox"/> 087FD5	14"	NC
<input type="checkbox"/> 087FD2	11"	NC	<input type="checkbox"/> 087FD6	15"	NC
<input type="checkbox"/> 087FD3	12"	NC	<input type="checkbox"/> 087FD7	16"	NC
<input type="checkbox"/> 087FD4	13"	NC	<input type="checkbox"/> 087FD8	17"	NC
<input type="checkbox"/> 087FD5	14"	NC	<input type="checkbox"/> 087FD9	18"	NC
<input type="checkbox"/> 087FL9	Regular Frame	NC	<input type="checkbox"/> 087FL25	X-Long Frame	\$95
<input type="checkbox"/> 087FD3	12"	NC	<input type="checkbox"/> 087FD7	16"	NC
<input type="checkbox"/> 087FD4	13"	NC	<input type="checkbox"/> 087FD8	17"	NC
<input type="checkbox"/> 087FD5	14"	NC	<input type="checkbox"/> 087FD9	18"	NC
<input type="checkbox"/> 087FD6	15"	NC	<input type="checkbox"/> 087FD10	19"	NC
<input type="checkbox"/> 087FD7	16"	NC	<input type="checkbox"/> 087FD11	20"	NC

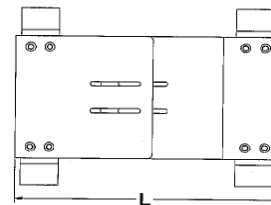
6. SEATING

SEATS		
<input type="checkbox"/> 087ST16	Solid Seat (Req. Solid Back)	\$168
	<i>(N/A w/ 10"-13" W x 19"-20" Frame Depth OR 17"-18" W x 13"-17" Frame Depth)</i>	
<input type="checkbox"/> 087ST14	Growing Seat Pan Depth (Fig. 1)	\$252
<input type="checkbox"/> 087ST28	For use w/ Conv. Seat	See OF
	<i>(Seating not incl. Attach Seating OF)</i>	
<input type="checkbox"/> 087ST29	For use w/ Jay Fit Seat	See OF
	<i>(Seating not incl. Attach Seating OF)</i>	
<input type="checkbox"/> 087ST27	Omit Seat	STD

BACKS		
<i>Solid Back Depth = 2" Less Than Frame Depth</i>		
<input type="checkbox"/> 087B3	Short Solid Back 12"	\$100
<input type="checkbox"/> 087B7	Med. Solid Back 14"	\$100
<input type="checkbox"/> 087B11	Tall Solid Back 16"	\$100
<input type="checkbox"/> 087B174	For use w/ Conv. Back	See OF
	<i>(Seating not incl. Attach seating OF)</i>	
<input type="checkbox"/> 087B175	For use w/ Jay Fit Back	See OF
	<i>(Seating not incl. Attach Seating OF)</i>	
<input type="checkbox"/> 087B176	Omit Backrest	NC

REFERENCE ONLY

Seat Depth Pan Size	Depth Range	
	Minimum	Maximum
Short 10-12"	10"	14"
Medium 13"-14"	11 3/4"	16 1/4"
Long 15"-17"	13 3/4"	18 1/4"
X-Long 18"-20"	15 3/4"	20 1/4"



Depth

Figure 7.1 - Frame Depth Growth Range Matrix

7. STROLLER HANDLE BACK POSTS - BACK RESTS (Please choose A, B or C option)

A) FIXED HEIGHT

<input type="checkbox"/> 087BP9	Low (19" Height) - Standard	NC
<input type="checkbox"/> 087BP10	Medium (22" Height)	NC
<input type="checkbox"/> 087BP11	Tall (25" Height)	NC
<input type="checkbox"/> 087BP13	Removable Extension	\$171
<input type="checkbox"/> 087RG1	Folding Adjustable Rigidizer	\$280

B) HEIGHT ADJUSTABLE

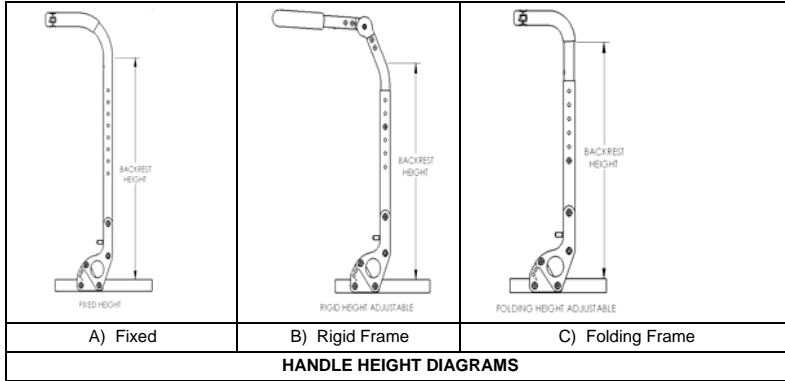
Rigid Frame w/ Angle Adjustable Push Handle

<input type="checkbox"/> 087B202	Std (16" - 22" Height)	NC
<input type="checkbox"/> 087PH8	Std Angle Adj. Push Handle Length	NC
<input type="checkbox"/> 087PH9	Long Angle Adj. Push Handle Length	NC
<input type="checkbox"/> 087B203	Tall (19" - 25" Height)	NC
<input type="checkbox"/> 087PH8	Std Angle Adj. Push Handle Length	NC
<input type="checkbox"/> 087PH9	Long Angle Adj. Push Handle Length	NC

C) HEIGHT ADJUSTABLE

Folding Frame w/ Adjustable Height Push Handle

<input type="checkbox"/> 087B204	Std (17" - 23" Height)	NC
<input type="checkbox"/> 087BP15	Swing Away Handle (N/A with dual triggers)	\$55
<input type="checkbox"/> 087B205	Tall (20" - 26" Height)	NC
<input type="checkbox"/> 087BP15	Swing Away Handle (N/A with dual triggers)	\$55



8. ARMRESTS

ARMREST & ARMPAD

<input type="checkbox"/> 087AA12	T-Post Regular w/ Foam	NC
<input type="checkbox"/> 087AA13	T-Post Tall w/ Foam	NC
<input type="checkbox"/> 087AA3	Flip-Up	NC
	<input type="checkbox"/> 10" - 13"	
	<input type="checkbox"/> 14" - 16"	
<input type="checkbox"/> 087AA1	Adjustable Locking Flip-Up	\$250
<input type="checkbox"/> 087AA7	Length Adjustable Locking Flip-Up	\$260

ARMREST - HEIGHT ADJUSTABLE

Please refer to the matrix below.

<input type="checkbox"/> 087AA11	Single-Post Height Adj. - Std	\$250
<input type="checkbox"/> 087AM23	Desk Classic	NC
<input type="checkbox"/> 087AM21	Desk Contour	NC
<input type="checkbox"/> 087AM24	Full Classic	NC
<input type="checkbox"/> 087AM22	Full Contour	NC
<input type="checkbox"/> 087AA29	Single-Post Height Adj. - Low	\$250
<input type="checkbox"/> 087AM23	Desk Classic	NC
<input type="checkbox"/> 087AM21	Desk Contour	NC
<input type="checkbox"/> 087AM24	Full Classic	NC
<input type="checkbox"/> 087AM22	Full Contour	NC

ARMPAD SELECTION FOR THE ABOVE

<input type="checkbox"/> 087AM23	Desk Length (10")	NC
<input type="checkbox"/> 087AM24	Full Length (14")	NC
<input type="checkbox"/> 087AM9	Foam Short (N/A w/ T Post)	NC
<input type="checkbox"/> 087AM10	Foam Long (N/A w/ T Post)	NC

ARMREST RECEIVER FOR HEIGHT ADJUSTABLE ARMREST

Please refer to the matrix below.

<input type="checkbox"/> 087AR17	Low	NC
<input type="checkbox"/> 087AR18	Std	NC

Armrest Matrix for Armrest Height Adjustable

Armrest Size	Transfer Tube Length D	Receiver	CLASSIC PAD		
			H Range	Pad Length L	
				Desk	Full
STD	8"	STD	10 3/4" to 15 3/4"	10 1/4"	14"
		LOW	8 3/4" to 13 3/4"		
LOW	5 1/4"	STD	9" to 13"		
		LOW	7 1/4" to 11 1/4"		

Armrest Size	Transfer Tube Length D	Receiver	CONTOUR PAD		
			H Range	Pad Length L	
				Desk	Full
STD	8"	STD	10" to 15"	10 1/2"	14 1/4"
		LOW	8 1/4" to 12 1/2"		
LOW	5 1/4"	STD	8 1/2" to 12 1/2"		
		LOW	6 3/4" to 10 3/4"		

Armrest Matrix for Armrest Height Adjustable

Please refer to the Matrix

A) Hanger Mounted Footrest (Footplates Mount to Hanger Tubing)

Hanger Type

<input type="checkbox"/> 087H89	70° Swing In / Out Front Mount	NC
<input type="checkbox"/> 087H90	80° Swing In / Out Front Mount	NC
<input type="checkbox"/> 087H91	90° Swing In / Out Front Mount	NC
<input type="checkbox"/> 087H9	70° Hvy Dty Fnt Mount Lift-Off	\$192
<input type="checkbox"/> 087H10	80° Hvy Dty Fnt Mount Lift-Off	\$192
<input type="checkbox"/> 087H11	90° Hvy Dty Fnt Mount Lift-Off	\$192
<input type="checkbox"/> 087H23	90° Elevating	\$311

Extensions (may interfere with some seat heights & casters)

<input type="checkbox"/> 087E23	2" (not mounted)	\$50
<input type="checkbox"/> 087E24	4" (not mounted)	\$50

Footplate

<input type="checkbox"/> 087F9	Kids Angle Adjustable w/ Leg Strap (N/A w/ 17" - 18" width)	NC
<input type="checkbox"/> 087F8	Adult Angle Adj. w/ Heel Loops	NC
<input type="checkbox"/> 087F62	Footboard w/ Leg Strap (Available with 10" - 16" widths)	NC

B) Ext. Tube Mounted Footrests (Footplates Mount to Ext. Tube)

Hanger Type

<input type="checkbox"/> 087H85	60° Swing In / Out	NC
<input type="checkbox"/> 087H86	70° Swing In / Out	STD
<input type="checkbox"/> 087H116	80° Swing In / Out	STD
<input type="checkbox"/> 087H24	Articulating (N/A w/ 10" - 13" composite footplates)	\$463
<input type="checkbox"/> 087H14	Elevating (N/A w/ composite or platform footplates.)	\$311

Elevating / Articulating leg rests are only available with Aluminium footplates.

Extensions

<input type="checkbox"/> 087E1	Short (11.5"-14")	NC
<input type="checkbox"/> 087E2	Med (14"-17") (N/A w/ ELR)	NC
<input type="checkbox"/> 087E5	Long (17"-19")	NC
<input type="checkbox"/> 087E16	High Mount	\$111

Footplate

<input type="checkbox"/> 087F1	Composite w/ Heel Loops (N/A in 10", 11" or 12" width)	STD
<input type="checkbox"/> 087F3	Adult Angle Adjustable w/ Heel Loops	NC
<input type="checkbox"/> 087F4	Kids Angle Adjustable w/ Leg Strap (N/A w/ 17" - 18" width)	NC
<input type="checkbox"/> 087F5	Aluminium (Only available with ELR 11" - 18")	NC
<input type="checkbox"/> 087F48	Platform Flip-Up w/ Leg Strap (Avail on 60° / 70° / 80° ext. mount hangers only)	\$252

Front Seat to Floor Height Guide (Reference Only)

Rear Wheel Size	CASTER SIZE					
	3"	4"	5"	6"	8"	8"x2"
12"	14.0	14.0	14.0		N/A	N/A
	14.5	14.5	14.5			
	15.0	15.0	15.0	15.0		
	15.5	15.5	15.5	15.5		
	16.0	16.0	16.0	16.00		
12" Low Poly	14.0	14.0	14.0	15.0	N/A	N/A
	14.5	14.5	14.5			
	15.0	15.0	15.0			
16"	14.0	14.0	14.0			
	14.5	14.5	14.5			
	15.0	15.0	15.0	15.0		
	15.5	15.5	15.5	15.5		
	16.0	16.0	16.0	16.0		
	16.5	16.5	16.5	16.5	16.5	16.5
	17.0	17.0	17.0	17.0	17.0	
18"	14.0	14.0	14.0			
	14.5	14.5	14.5			
	15.0	15.0	15.0	15.0		
	15.5	15.5	15.5	15.5		
	16.0	16.0	16.0	16.0		
	16.5	16.5	16.5	16.5	16.5	16.5
	17.0	17.0	17.0	17.0	17.0	
	17.5	17.5	17.5	17.5	17.5	17.5
		18.0	18.0	18.0	18.0	18.0
20"	14.0	14.0	14.0			
	14.5	14.5	14.5	15.0		
	15.0	15.0	15.0	15.5		
	15.5	15.5	15.5	16.0	16.5	16.5
	16.0	16.0	16.0	16.5	17.0	17.0
	16.5	16.5	16.5	17.0	17.5	17.5
	17.0	17.0	17.0	17.5	18.0	18.0
	17.5	17.5	17.5	18.0	18.5	18.5
		18.0	18.0	18.5	19.0	19.0
			18.5	19.0	19.5	
				15.0		
22"	15.0	15.0	15.0	15.5	16.5	
	15.5	15.5	15.5	16.0	17.0	
	16.0	16.0	16.0	16.5	17.5	16.5
	16.5	16.5	16.5	17.0	18.0	17.0
	17.0	17.0	17.0	17.5	18.5	17.5
	17.5	17.5	17.5	18.0	19.0	18.0
		18.0	18.0	18.5	19.5	18.5
			18.5	19.0	20.0	19.0
				19.0	19.5	
24"	15.5	15.5	15.5	15.5		
	16.0	16.0	16.0	16.0	16.5	16.5
	16.5	16.5	16.5	16.5	17.0	17.0
	17.0	17.0	17.0	17.0	17.5	17.5
	17.5	17.5	17.5	17.5	18.0	18.0
		18.0	18.0	18.0	18.5	18.5
			18.5	18.5	19.0	19.0
			19.0	19.5		
				20.0		

Based on 1.5" seat angle. To achieve desired seat height see matrices on last page.

9. FOOTRESTS - CONT.

FOOTREST HANGER OPTIONS			
<input type="checkbox"/>	087IG2	Neoprene Covers <i>(Avail. on 60° / 70° / 80° ext. mount hangers only)</i>	\$85
<input type="checkbox"/>	087A54	Extra Single Leg Strap	\$50
<input type="checkbox"/>	087A110	Toe Loop <i>(Only avail. w/ adult angle adjust. footplates)</i>	\$34
<input type="checkbox"/>	087H33	Omit Hanger	NC
<input type="checkbox"/>	087F7	Omit Footplate & Ext. Tube	NC
<input type="checkbox"/>	087HL4	Omit Heel Loop	NC
<input type="checkbox"/>	087HL6	Omit Single Leg Strap	NC

10. CASTERS

CASTER WHEEL			
<input type="checkbox"/>	087CW30	3" Micro Light Up	\$84
<input type="checkbox"/>	087CW31	4" Micro Light Up	\$84
<input type="checkbox"/>	087CW51	5" Micro Light Up	\$118
<input type="checkbox"/>	087CW5	5" Low Profile Polyurethane	STD
<input type="checkbox"/>	087CW7	5" x 1.5" Semi-Pneumatic	\$118
<input type="checkbox"/>	087CW33	6" Pneumatic	\$84
<input type="checkbox"/>	087CW34	6" Polyurethane	NC
<input type="checkbox"/>	087CW35	6" x 1.5" Semi-Pneumatic	\$118
<input type="checkbox"/>	087CW21	8" Pneumatic	NC
<input type="checkbox"/>	087CW32	8" Polyurethane	NC
<input type="checkbox"/>	087CW39	8" x 1.5" Semi-Pneumatic	\$118
<input type="checkbox"/>	087CW36	8" x 2" Pneumatic	\$162
<input type="checkbox"/>	087CW37	8" x 2" Pneumatic w/ Airless Insert	\$252

CASTER OPTIONS			
<input type="checkbox"/>	087CS5	3/4" Longer Fork Stem Bolt	NC
<input type="checkbox"/>	087CS9	1.5" Longer Fork Stem Bolt	NC
<input type="checkbox"/>	087CS3	Caster Pin Locks <i>(N/A with 8" x 2" casters or Transit Option)</i>	\$151
<input type="checkbox"/>	087CW38	Omit Caster, Wheels & Tyres	NC

11. AXLES AND WHEELS

AXLE PLATE			
<input type="checkbox"/>	087AL17	One Arm Drive <i>(Avail w/ 20", 22", 24" Mag Rear Wheels & 13" - 18" wide)</i>	\$1,336
<input type="checkbox"/>	087OA2	Standard Handrim	NC
<input type="checkbox"/>	087HM1	Right	NC
<input type="checkbox"/>	087HM2	Left	NC
<input type="checkbox"/>	087OA1	Small Handrim	NC
<input type="checkbox"/>	087HM1	Right	NC
<input type="checkbox"/>	087HM2	Left	NC

REAR WHEEL SIZE			
<input type="checkbox"/>	087RW13	12" Mag <i>(N/A with handrims)</i>	STD
<input type="checkbox"/>	087RW14	16" Mag <i>(N/A with handrims)</i>	NC
<input type="checkbox"/>	087RW3	20" Mag	NC
<input type="checkbox"/>	087RW8	22" Mag	NC
<input type="checkbox"/>	087RW1	24" Mag	NC
<input type="checkbox"/>	087RW12	18" Spoke	NC
<input type="checkbox"/>	087RW90	20" Lite Spoke	\$168
<input type="checkbox"/>	087RW91	22" Lite Spoke	\$168
<input type="checkbox"/>	087RW92	24" Lite Spoke	NC

(Spinergy N/A with projection/Omit handrims)

AXLE			
<input type="checkbox"/>	087AX26	One Arm Drive Axle <i>(Only avail. w/ One Arm Drive Option)</i>	STD
<input type="checkbox"/>	087AX1	Quick Release	NC
<input type="checkbox"/>	087AX11	Quad Quick Release <i>(N/A with Lite Spokes)</i>	\$168

REAR WHEEL TYRE			
<input type="checkbox"/>	087RT1	Pneumatic	NC
<input type="checkbox"/>	087RT2	Pneumatic Airless Insert	\$185
<input type="checkbox"/>	087RT3	Full Polyurethane <i>(N/A w/ 12", 16" & 18" rear wheels)</i>	NC
<input type="checkbox"/>	087RT4	Low Polyurethane <i>(Only available with 12" or 24" wheels)</i>	NC
<input type="checkbox"/>	087RT6	High Pressure Clincher <i>(Only available with 24" spoke wheels)</i>	\$68
<input type="checkbox"/>	087RT8	Kevlar <i>(Only available with 24" wheels)</i>	\$81

11. AXLES AND WHEELS - CONT.

HANDRIM		
<input type="checkbox"/> 087HR1	Aluminium Anodized	NC
<input type="checkbox"/> 087HR4	Plastic Coated	\$106
<input type="checkbox"/> 087HR7	Omit	-\$22
<i>(N/A with wheel / axle credit)</i>		
<i>N/A 25" 26" Lite Spoke Wheel</i>		

PROJECTIONS (NOT AVAILABLE ON PLASTIC COATED)		
<i>*Only available with 24" wheels & N/A with spoke guards.</i>		
<input type="checkbox"/> 087HR8	8 Oblique	\$241

HUB LOCK		
<i>*Only available with 12" or 16" wheels.</i>		
<i>N/A with One arm drive.</i>		
<input type="checkbox"/> 087LK01	12" Hub Lock	\$150
<input type="checkbox"/> 087LK02	16" Hub Lock	\$150

WHEEL LOCK		
<i>N/A with Hub Locks</i>		
<input type="checkbox"/> 087WL1	High Mount Push	NC
<input type="checkbox"/> 087WL2	High Mount Pull	NC
<input type="checkbox"/> 087WL25	Foot Lock	NC
<i>(May limit folding width)</i>		
<i>(N/A in reverse configuration)</i>		
<input type="checkbox"/> 087WL10	Omit	NC

EXTENSION HANDLE		
<input type="checkbox"/> 087EH1	6" Pair	\$49

ANTI-TIP		
<input type="checkbox"/> 087AO2	Front Anti-Tip	\$105
<i>(N/A with caster pin locks)</i>		
<i>(N/A with transit option)</i>		
<input type="checkbox"/> 087AT17	Rear Anti-Tip	NC

12. ACCESSORIES

BACKPACK		
<input type="checkbox"/> 087A1	Black / Charcoal - Adult Utility Backpack	\$62
<input type="checkbox"/> 087A2	Black / Charcoal - Kids	\$56

SEAT POUCH		
<input type="checkbox"/> 087A8	Black	\$49

MISCELLANEOUS		
<input type="checkbox"/> 087A83	Tool Kit	\$31

POSITIONING BELT		
<input type="checkbox"/> 087A112	1" Dual Pull Side Squeeze Padded	\$152
<input type="checkbox"/> 087A12	Belt 2" Aircraft Buckle	\$154
<input type="checkbox"/> 087A13	Belt 2" Aircraft Buckle Padded	\$129
<input type="checkbox"/> 087A141	Belt 1.5" Auto Buckle w/ Clamps	\$67

SPOKE GUARD		
<i>N/A with 12", 16" and 18" rear wheels & Projections Handrims</i>		
<input type="checkbox"/> 087A23	Black	\$120
<input type="checkbox"/> 087A24	Clear	\$120

UPPER EXTREMITY SUPPORT TRAY		
<input type="checkbox"/> 087A29	X-Sm (Suggested 10" - 12" Width)	\$246
<input type="checkbox"/> 087A30	Sm (Suggested 13" - 14" Width)	\$246
<input type="checkbox"/> 087A31	Med (Suggested 15" - 17" Width)	\$246
<input type="checkbox"/> 087A32	Lge (Suggested 18" - 20" Width)	\$246

SIDE GUARD		
<i>N/A with height adjustable armrests or T-Post</i>		
<input type="checkbox"/> 087SG33	Plastic Std	\$148
<input type="checkbox"/> 087SG29	Plastic Low	\$148

TOTAL CHAIR PRICE: \$ _____

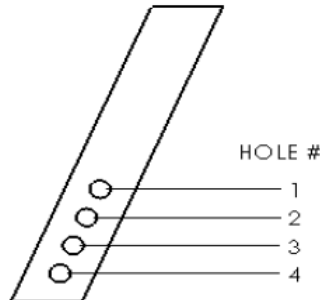


Zippie GS Seat Height Setup

(Reference for set up)

Caster Fork Size	Caster Stem	Caster Fork Hole Position	CASTER SIZE				
			3	4	5	6	8
5-1/4" (N/A with 8x2 Caster)	Std	1			14		
		2		14	14.5	15	
		3	14	14.5	15	15.5	
		4	14.5	15	15.5	16	16.5
	+3/4"	1			14.5		
		2		14.5	15	15.5	
		3	14.5	15	15.5	16	
		4	15	15.5	16	16.5	17
	+1-1/2"	1			15.5		
		2		15.5	16	16.5	
		3	15.5	16	16.5	17	
		4	16	16.5	17	17.5	18
6" (N/A with 8x2 Caster)	Std	1			14.5	15	
		2		14.5	15	15.5	16.5
		3	14.5	15	15.5	16	17
		4	15	15.5	16	16.5	17.5
	+3/4"	1			15.5	16	
		2		15.5	16	16.5	17
		3	15.5	16	16.5	17	17.5
		4	16	16.5	17	17.5	18
	+1-1/2"	1			16	16.5	
		2		16	16.5	17	18
		3	16	16.5	17	17.5	18.5
		4	16.5	17	17.5	18	19
7" (N/A with 8x2 Caster)	Std	1			15.5	16	17
		2		15.5	16	16.5	17.5
		3	15.5	16	16.5	17	18
		4	16	16.5	17	17.5	18.5
	+3/4"	1			16	16.5	17.5
		2		16	16.5	17	18
		3	16	16.5	17	17.5	18.5
		4	16.5	17	17.5	18	19
	+1-1/2"	1			17	17.5	18.5
		2		17	17.5	18	19
		3	17	17.5	18	18.5	19.5
		4	17.5	18	18.5	19	20
8" Wide (must use with 8x2 caster)	Std	1					16.5
		2					17.5
	+3/4"	1					17.5
		2					18.5
	+1-1/2"	1					18
		2					19

5-1/4", 6" & 7" Fork



8" Wide Fork

